



### General Information

The FT520 is a batching flow processor with additional output features. It is designed for use with SeaMetrics flow meters and flow sensors, as well as other units which have frequency output proportional to flow. In addition to batch function, the FT520 indicates flow rate and accumulated total in large digits on an easily-read backlit display. Units are user selectable, and range from milliliters per second to million gallons per day.

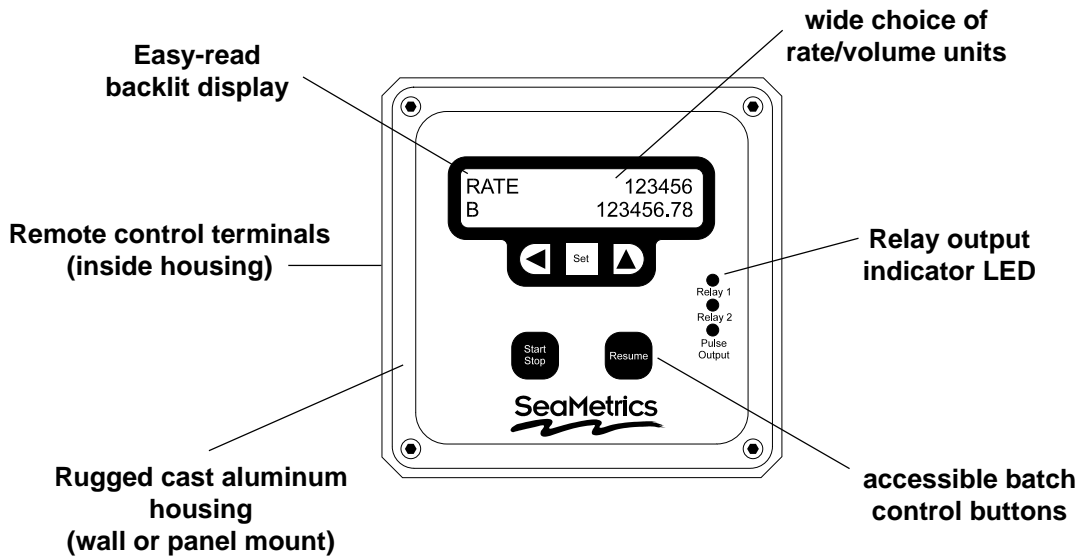
Batch output is controlled by two relays. The main relay starts and stops the batch as set. The auxiliary "prewarn" relay can be used to operate a second valve, in order to have a staged shut off at the end of the batch, for maximum accuracy.

Analog output (4-20 mA, 0-10 VDC) is included for applications requiring it, such as flow rate logging. Two programmable pulse outputs are also standard, and can be used, for example, to provide proportional chemical feed with a pulse-responsive metering pump.

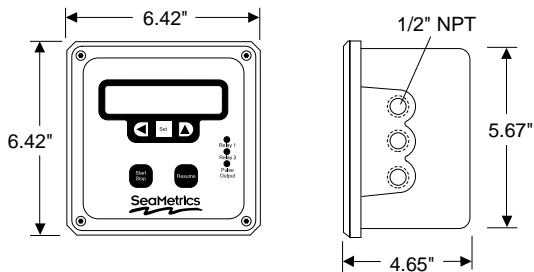
### Specifications

<b>Power</b>	115/220 VAC, 50/60 Hz, 12-24 VDC
<b>Temperature</b>	32° - 130° F (0° - 55° C)
<b>Enclosure</b>	Precision cast aluminum, NEMA 4X
<b>Batch Outputs</b>	Two Form C SPDT relay, 115 VAC 5A max
<b>Max Pulse Output</b>	100 mA at 60 VDC
<b>Memory Type</b>	Non-volatile EEPROM auto-backup
<b>Sensor Power</b>	12 VDC, 10 mA
<b>Totalizer</b>	8 digit
<b>Rate Display</b>	5 digit
<b>Volume Units</b>	Gallons, cubic feet, cubic meters, liters, million gallons
<b>Time Units</b>	Seconds, minutes, hours, days
<b>Analog Output</b>	4-20 mA, 0-10 VDC, opto-isolated
<b>Sensor Input</b>	Open collector current sink, ESD protected
<b>Max Input Frequency</b>	1,000 Hz
<b>Shipping Weight</b>	7 lbs

## Features



## Dimensions



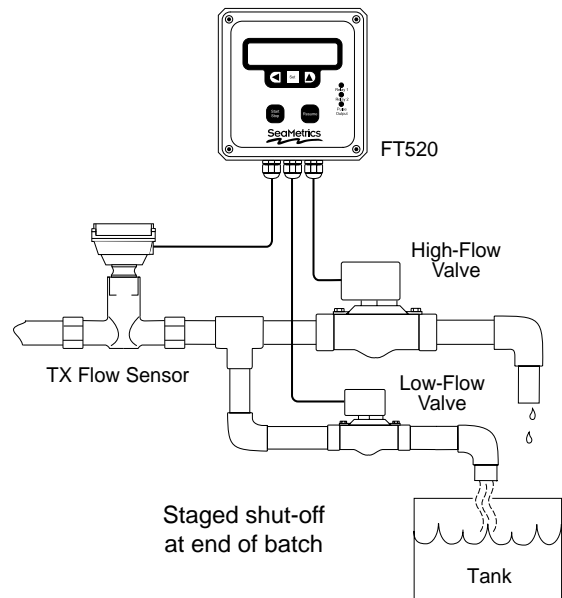
## How To Order

Option Code (see options below)  
 FT520- \_\_\_\_\_

### Option codes:

- 84 Regeneration control
- 86 Alarm relay output

## Typical Dual-Flow Batch Application



# SeaMetrics

20419 80th Ave. So., Kent, WA 98032 USA  
 Phone: 253-872-0284 Fax: 253-872-0285  
[www.seametrics.com](http://www.seametrics.com) 1-800-975-8153