

Specifications

Display		
Rate		6-digit autorange, 1/2" character height
Total		8-digit, 5/16" character height
Pulse Output		0.1 second open collector pulse
Input		Micro-power GMR sensor (square wave)
Input Range		Minimum: 20 mV peak-peak Maximum: 6V peak-peak
K-factor Range		0.050 - 999999.9
Pulse Output Range		0.1 - 200,000 units/pulse
Battery Type		Lithium "C", 3V, replaceable
Normal Battery Life		3-5 years
Temperature		0° C - 70° C
Environmental		NEMA 4X

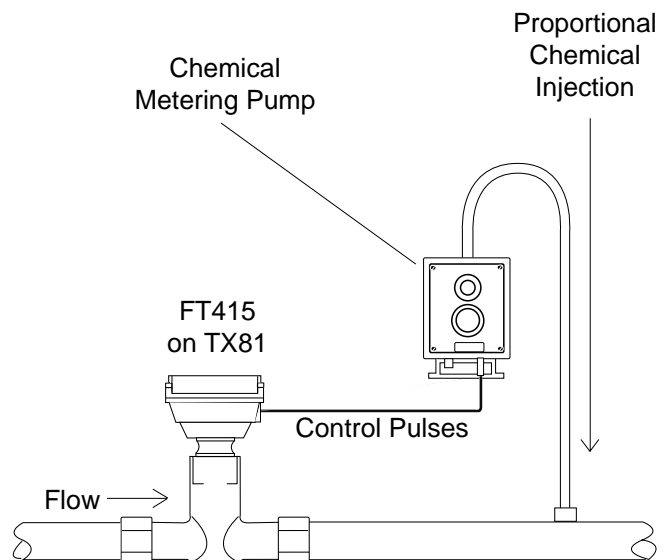
General Information

The FT415 is a microcontroller-based rate/total indicator powered by a lithium battery. It displays rate and total, and provides a programmable pulse output for use in metering pump pacing or datalogging.

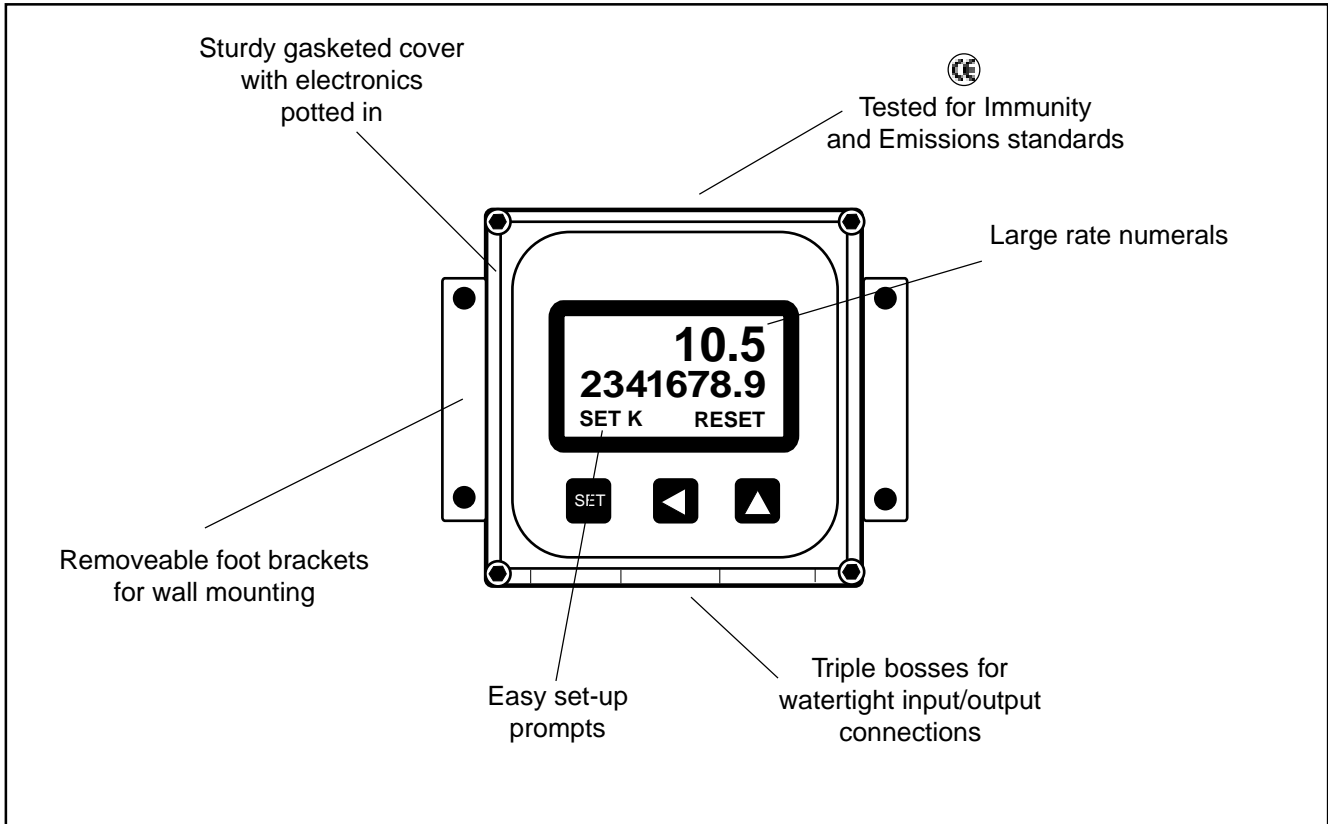
The rugged cast-aluminum housing is gasketed for maximum environmental protection, and the electronics are potted into a solid block of urethane. A membrane keypad allows settings to be changed without removing the cover. The wall mount version comes with brackets for wall mounting, and a kit (MK10) is available for field installation on TX80-series flow sensors. The FT415 can also be factory or field installed on a TX100/200 series sensor or WT meter. (Micropower sensors are required to prolong battery life.)

The standard output is a programmable 0.1 second open-collector transistor (TTL) pulse which can be used to trigger most externally-paced metering pumps.

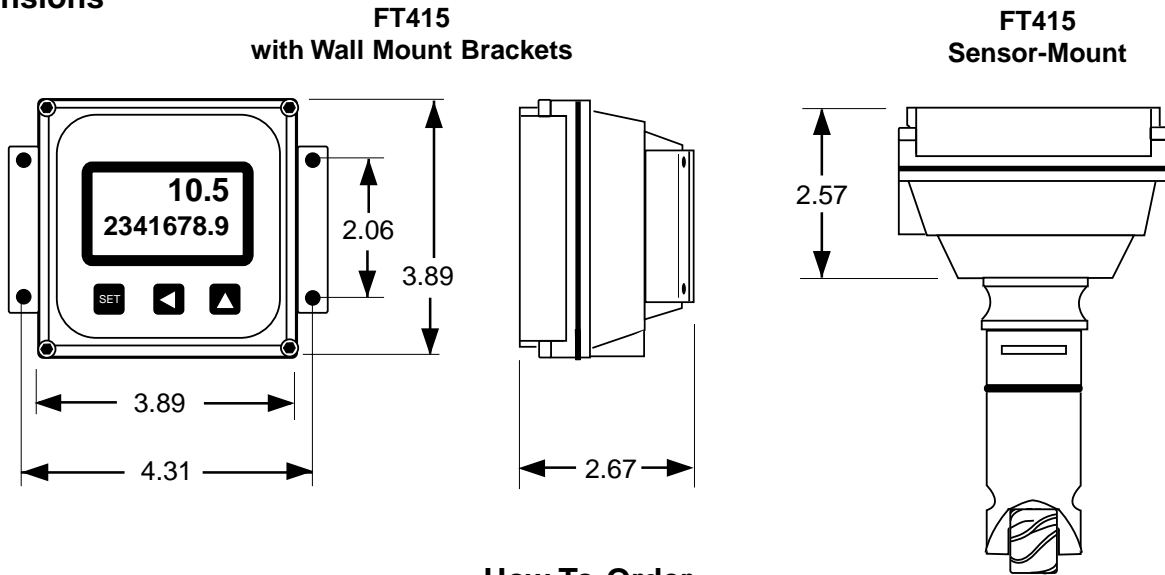
Typical Application



Features



Dimensions



How To Order

Mounting Style: M = premounted on sensor, 100/200 series only
 W = Wall mount

FT415 _____

Note: All FT415 indicators require a micropower sensor. See options when ordering sensor.

SeaMetrics

20419 80th Ave. So., Kent, WA 98032 USA
 Phone: 253-872-0284 Fax: 253-872-0285
www.seametrics.com 1-800-975-8153