

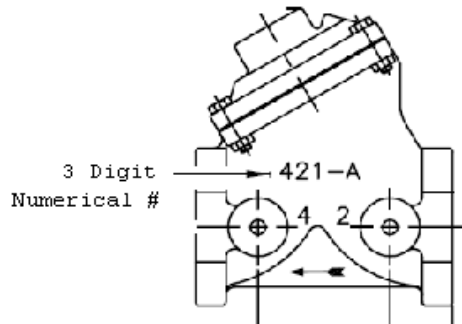
Aquamatic Valve Questionnaire

VAV Series Cast Iron Valve (Used on Air Systems)

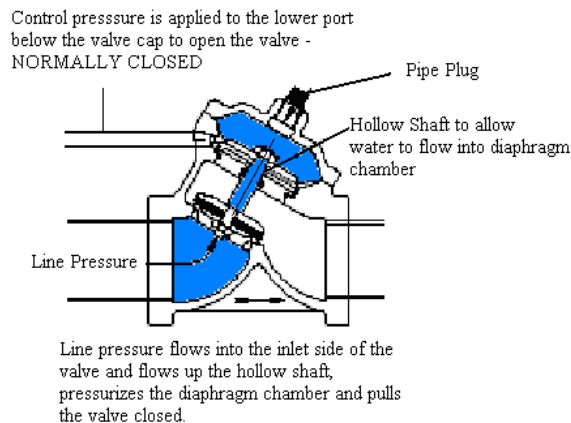
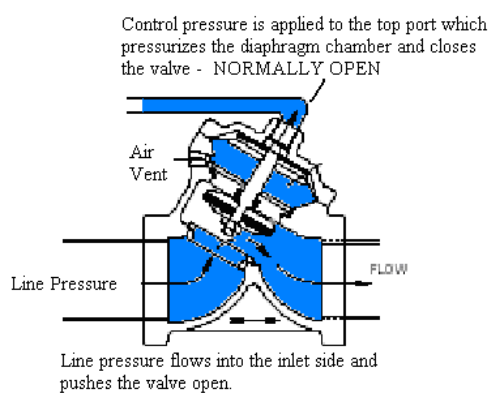
Do you have a number that resembles something like the following VAVC-0000-90000. If not, please proceed.

You can locate a 3 digit numerical number casted on the valve cap or valve body for metal valves. This number will point you into the right direction as far as the size of the valve. The V42 Series has the following sizes in relation to the 3 Digit Numerical Number:

421: ¾" or 1" 424: 1-1/4" or 1-1/2" 425: 2" 426: 2" or 2-1/2"
427: 3" Threaded or 3" Flanged 428: 4" Threaded or Flanged



What is the valve configuration? Is it normally open or normally closed?



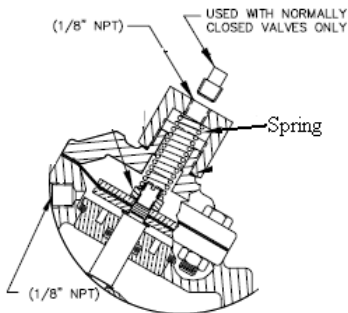
Note: For normally closed valves, a pipe plug is inserted in the top port above the diaphragm, and line pressure is applied to the lower port below the diaphragm to open valve.



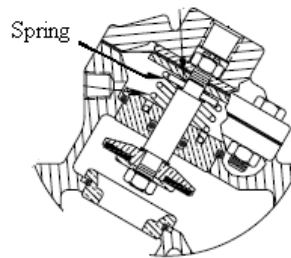
Is there is a Spring Assist Open or Spring Assist Closed option inside the valve? Please undo the valve cap to determine this option.

** On the VAV series Spring Assist Options, you can have Normally Open, Spring Assist Open Valve or a Normally Open, Spring Assist Closed. However, you can only have a Normally Closed, Spring Assist Closed Option. There is no option Normally Closed, Spring Assist Open.

**For a SAC option, the spring is above the diaphragm. SAO, the spring is below the diaphragm.



If you have a Spring Assist Closed VAV Series Air Valve, the valve can only be Normally Closed Spring Assist Closed. There is no option for a Normally Open Spring Assist Closed VAV Series Air Valve.



If you have a Spring Assist Open option VAV Series valve, you can only have a Normally Open Spring Assist Open. Spring Assist Open is not an option you can have with a Normally Closed valve

*** VAV SERIES AND V42 SERIES AQUAMATIV VALVES USED THE SAME CAST CAP AND BODY. IF THE APPLICATION IS AIR, GO WITH THE VAV SERIES. IF THE APPLICATION IS WATER, GO WITH THE V42 SERIES.