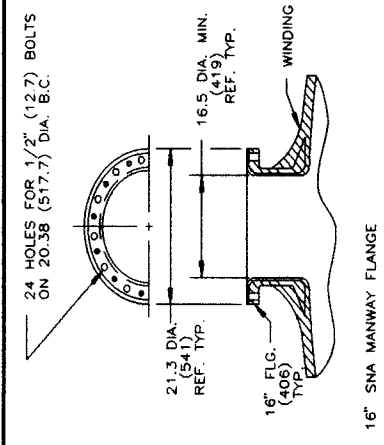
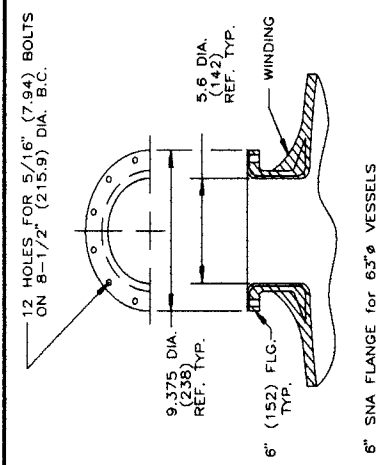


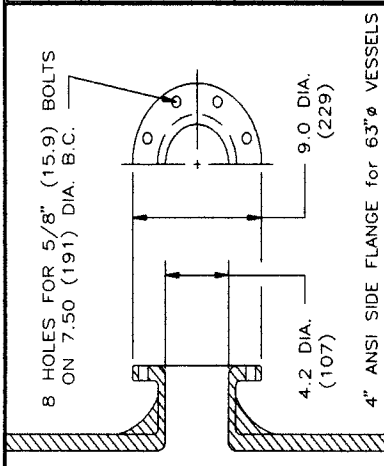
The descriptions and dimensions contained in this drawing are intended for sales quotation purposes.



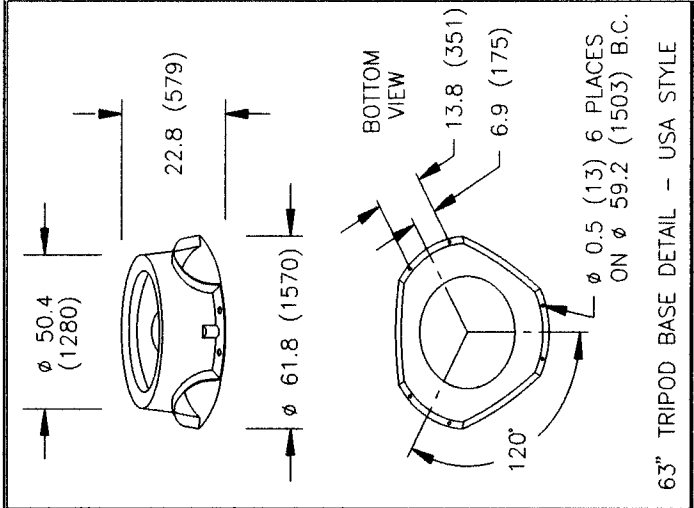
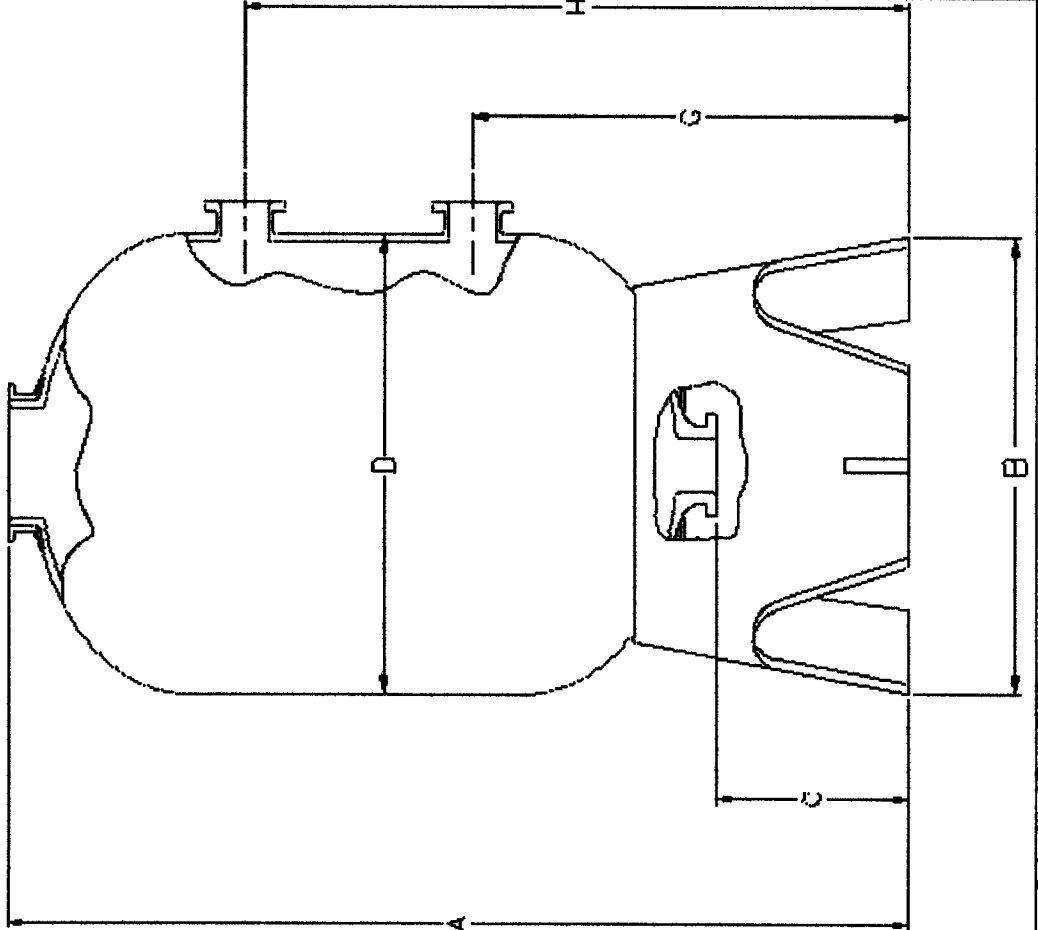
16" SNA MANWAY FLANGE



6" SNA FLANGE for 63" VESSELS



4" ANSI SIDE FLANGE for 63" VESSELS



63" TRIPOD BASE DETAIL - USA STYLE

SLR NUMBER = 18676
A [IN] = 97
B [IN] = 61.8
C [IN] = 12.5
D [IN] = 64
G [IN] = 44.5
H [IN] = 63.9
MAX PSI = 150
MAX TEMP (F) = 150/210
DOME VOL (GAL) = 168
TANK VOL (GAL) = 850
TANK SIZE = 63 x 86



Submitted By: CWG

Oct 20, 2004

Ver3.5R