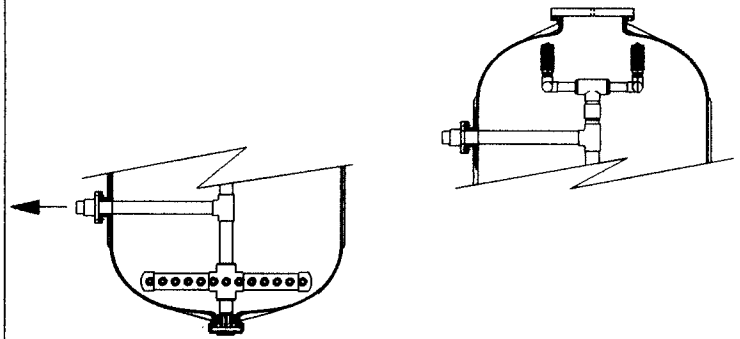
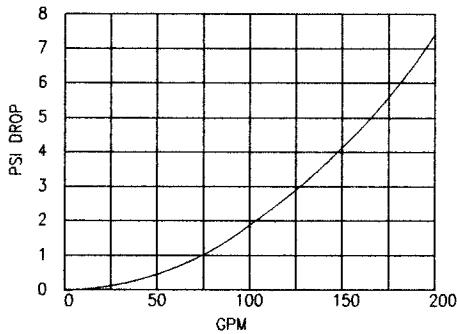
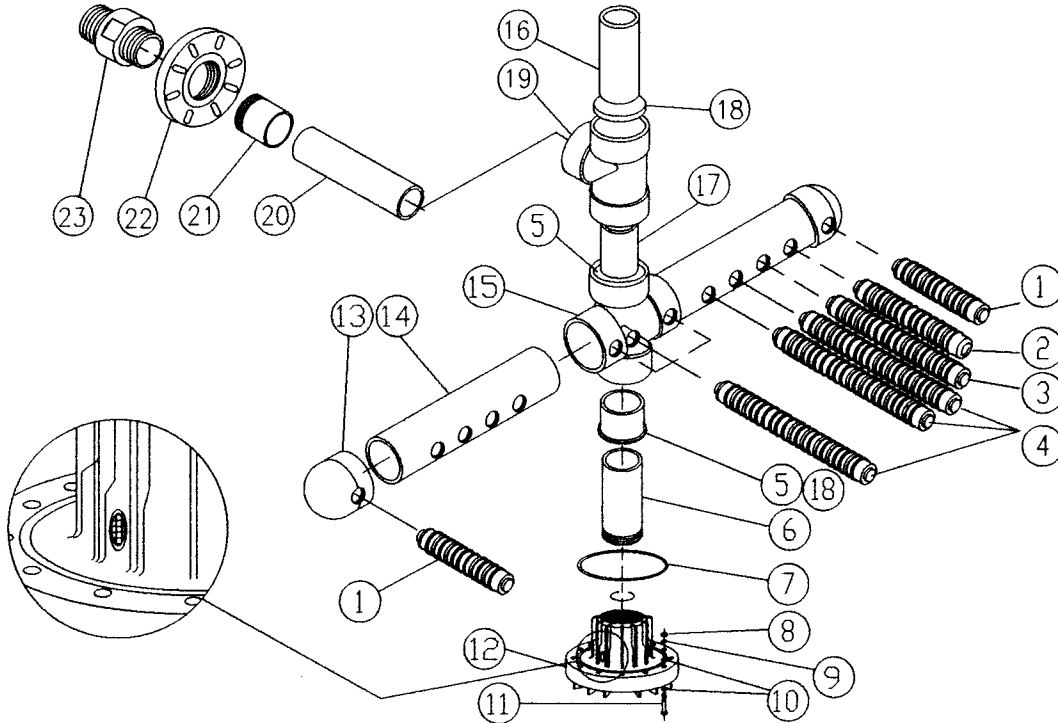


ITEM	DESCRIPTION	DIMENSION	QUANTITY	ITEM NUMBER
1	FEMALE ADAPTER	3" S X T (3" NPT) CPVC (MACHINED)	1	5602-1
2	PIPE	3" X 30" CPVC	1	5603
3	SHUTOFF DISK	1/2" X 3.485" CPVC	1	10704
4	PIPE	3" X 5" CPVC	1	10699
5	TEE	3" S X S X S CPVC	2	5606
6	REDUCER	3" X 2" S X S CPVC	2	5600
7	PIPE	2" X 7.75" CPVC	2	5601
8	TEE	2" S X S X S CPVC	2	5609
9	PIPE	2" X 9.25" CPVC	4	5608
10	ELBOW	2" S X T (2" NPT) CPVC 90 ELBOW	4	5607
11	PIPE	2" NPT X 2" PIPE	4	5271-1
12	DIFFUSER	7" X .008" SLOT (180mm x 0.2mm)	4	5721
13	CONNECTOR	3" NPSM TO 3" NPT	1	5045
14	FLANGE	4" FLANGE TO 3" NPSM, O-RINGS, ITEM 5257	1	5276
15	PIPE	3" X 3" CPVC THREADED ONE END	1	10703
16	FEMALE ADAPTER	3" S X T (3" NPT) CPVC	1	5602
17	O-RING	3.475" I.D.	1	2694-124



ITEM	DESCRIPTION	DIMENSION	QUANTITY	ITEM NUMBER
1	LATERAL	10.6" X .008" (269mm X 0.2mm)	4	5830
2	LATERAL	16.7" x .008" (424mm X 0.2mm)	4	5831
3	LATERAL	19.1" x .008" (488mm X 0.2mm)	4	5832
4	LATERAL	22.8" x .008" (582mm X 0.2mm)	14	5833
5	REDUCER	4" X 3" CPVC	2	5611
6	PIPE	3" NPT x 8"	1	5612
7	O-RING	7 1/8" DIA.	1	2694-69
8	NUT	5/16"-18 STAINLESS STEEL	12	4750-2
9	WASHER	5/16" LOCK STAINLESS STEEL	12	4750-3
10	WASHER	5/26" FLAT STAINLESS STEEL	24	4750-4
11	BOLT	5/16-18" X 2 1/2" STAINLESS STEEL	12	4750-1
12	ADAPTER	6" TO 3" NPT	1	4735-25
13	CAP	4" CPVC	2	5615
14	PIPE	4" X 19.44" CPVC	2	5614
15	CROSS	4" S X S X S X S (CPVC)	1	10648
16	PIPE	3" X REQUIRED LENGTH	1	-
17	PIPE	3" X 12-1/4" CPVC	1	10700
18	SHUTOFF DISK	1/2" X 3.485" CPVC	2	10704
19	TEE	3" S X S X S	1	5606
20	PIPE	3" X 30" CPVC	1	5603
21	FEMALE ADAPTER	3" S X T (CPVC) (MACHINED)	1	5602-1
22	FLANGE	4" to 3" NPSM	1	5276
23	CONNECTOR	3" NPSM TO 3" NPT	1	5045