

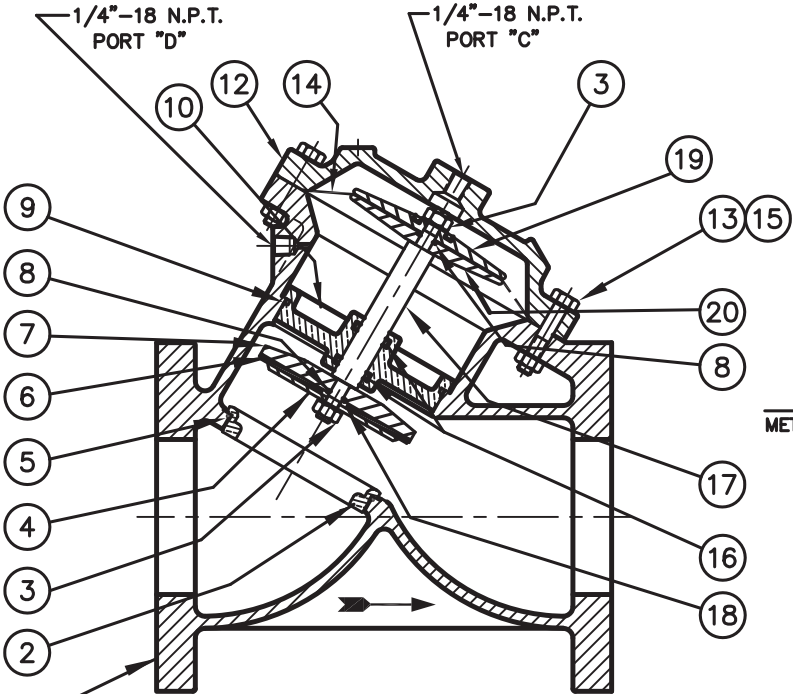
INCHES  
MILLIMETERS

REPAIR PARTS KITS		
DESCRIPTION	PART NO.	
DIAPHRAGM & SEALS KIT CONSISTS OF ITEM NO'S 3(2),5,6,8(2),9,14,18(2)	1070111 (AV8-RA)	1070521 (AV8-RAHT)
	INCLUDES DISC 1074571 (428-JH), DIAPHRAGM 1074557 (428-FB)	INCLUDES DISC 1074572 (428-JT), DIAPHRAGM 1074559 (428-FV)
INT. PARTS KIT (NORM. OPEN) CONSISTS OF STANDARD ITEM NO'S 4,7,10,11,17,18,19,20	1070522 (AV8-RF)	
SEAT (ITEM NO. 2)	1074585 (428-MAO)	

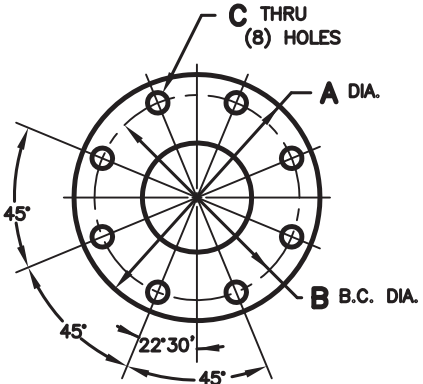
- NOTE:
1. AMERICAN NATIONAL STANDARD TAPER PIPE THREADS (NPT) PER ANSI B2.1-1968
  2. VALVES AVAILABLE WITH B.S.P.T. END CONNECTIONS.

FLANGE STYLE	A	B	C
AMERICAN	9.000	7.500	.750
METRIC	229 MM	180 MM	18 MM

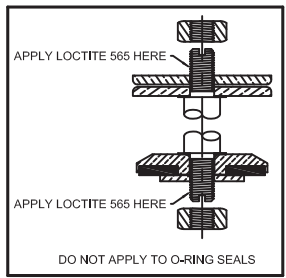
NO.	DESCRIPTION	STD	PART NO.	QTY.
1	BODY	CAST IRON	* 1074522 (428-A)	1
2	SEAT	BRASS	* 1074585 (428-MAO)	1
3	HEX NUT (3/8-24)		* 3001990	2
4	DISC PLATE	BRASS	* 1074575 (428-KA)	1
5	O-RING	FKM	* 1071811 (ORV-156)	1
6	DISC	HYPAR	* 1074571 (428-JH)	1
		AFLAS		
		GLASS FILLED TEFLON	1074572 (428-JT)	
7	DISC HOLDER	BRASS	* 1074588 (428-NA)	1
8	O-RING	FKM	* 1071787 (ORV-012)	2
9	O-RING	FKM	* 1071832 (ORV-245)	1
10	SHAFT GUIDE	BRASS	* 1074560 (428-GAO)	1
12	CAP	CAST IRON	* 1074532 (428-C)	1
13	HEX SCREW 3/8"-16	PLATED STEEL	* 1072406 (SCZ-0027)	11
14	DIAPHRAGM	BUNA N	* 1074557 (428-FB)	1
		FKM	1074559 (428-FV)	
15	HEX NUT 3/8"-16	PLATED STEEL	* 1071658 (NUZ-0014)	11
16	O-RING	AFLAS	* 1071665 (ORA-210)	2
17	SHAFT (NORMALLY OPEN)		* 1074579 (428-LAA)	1
18	DISC SPACER	BRASS	* 1074565 (428-HA)	1
19	UPPER DIAPHRAGM PLATE		* 1074554 (428-DA)	1
20	LOWER DIAPHRAGM PLATE		* 1074555 (428-DA)	1



**1072513 (VAVK-3000-80000) (4" PIPE SIZE)  
NORMALLY OPEN (STANDARD)**



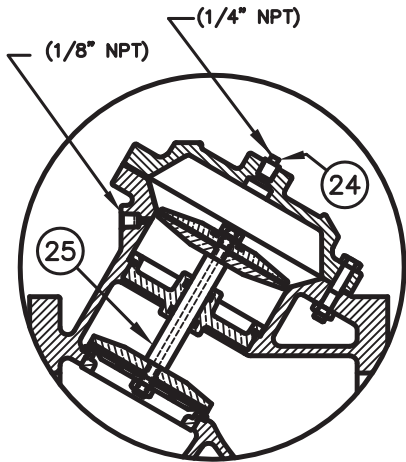
AMERICAN FLANGE PER A.S.A. 16.1 CLASS 125  
METRIC FLANGE PER BS 4504, DIN 10 & ISO R 2084



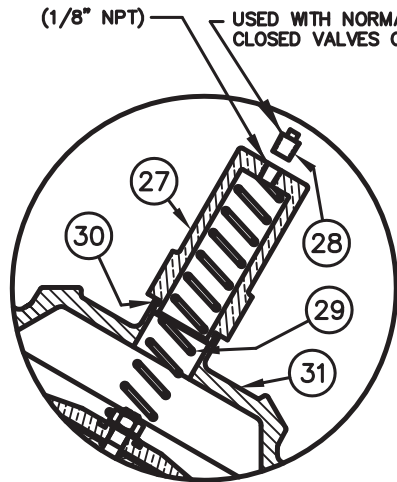
SEE REVERSE SIDE FOR  
CONFIGURATION OPTIONS

FORM NO. 1077640

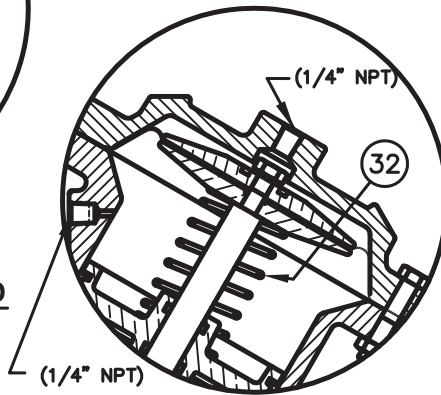
G	ADDED LOCTITE APPLICATION BOX INFO	1713	MSM	22JUN07	
REV	DESCRIPTION	ECO	DWN	DATE	APVD
		20580 Enterprise Avenue Brookfield, WI 53045 888.784.9065 www.Pentairwatertreatment.com			
<b>SERIES AV8 DIAPHRAGM VALVE STANDARD MODEL</b>					
DRAWN		DATE		DRAWING NO.	
JWB		14MAY01		1084044	



VAVK-3030-90000  
**NORMALLY CLOSED**



1072516 (VAVK-3002-90000)  
**SPRING ASSIST CLOSED**



1072514 (VAVK-3001-90000)  
**SPRING ASSIST OPEN**

NO.	DESCRIPTION	STD	PART NO.	QTY.
<b>NORMALLY CLOSED MODEL</b>				
24	PIPE PLUG (1/4" N.P.T.)	PLATED STEEL *	1071918 (PLZ-0008)	1
25	SHAFT (NORMALLY CLOSED)	*	1074582 (428-LLA)	1
<b>SPRING ASSIST CLOSED MODEL</b>				
27	RETAINER NUT	BRASS *	1074609 (428-TT)	1
28	PIPE PLUG (1/8" N.P.T.)	BRASS *	1071903 (PLB-0007)	1
29	SPRING	*	1074601 (428-SB)	1
30	O-RING	*	1071677 (ORB-025)	1
31	CAP	CAST IRON *	1074540 (428-CC)	1
<b>SPRING ASSIST OPEN MODEL</b>				
32	SPRING	*	1074605 (428-SOA)	1

SEE REVERSE SIDE FOR  
STANDARD NORMALLY OPEN MODEL

REPAIR PARTS KITS	
DESCRIPTION	PART NO.
INT. PARTS KIT (NORM. CLOSED) CONSISTS OF STANDARD ITEM NO'S 4,7,10,11,18,19,20,25	1070523 (AV8-RG)
INT. PARTS KIT (SPRING ASSIST CLOSED) CONSISTS OF STANDARD ITEM NO'S 29,30	1070524 (AV8-SC)
INT. PARTS KIT (SPRING ASSIST OPEN) CONSISTS OF STANDARD ITEM NO. 32	1070526 (AV8-SO)

CONVERSION KITS	
DESCRIPTION	PART NO.
CONVERSION KIT (SPRING ASSIST CLOSED) CONSISTS OF STANDARD ITEM NO'S 27 THRU 31	1070525 (AV8-SCC)
CONVERSION KIT (SPRING ASSIST OPEN) CONSISTS OF STANDARD ITEM NO. 32	1070526 (AV8-SO)

FORM NO. 1077640

G	SEE REVERSE SIDE	1713	MSM	22JUN07	
REV	DESCRIPTION	ECO	DWN	DATE	APVD
		20580 Enterprise Avenue Brookfield, WI 53045 888.784.9065 www.Pentairwatertreatment.com			
<b>SERIES AV8 DIAPHRAGM VALVE STANDARD MODEL</b>					
DRAWN	JWB	DATE	14MAY01	DRAWING NO.	1084044