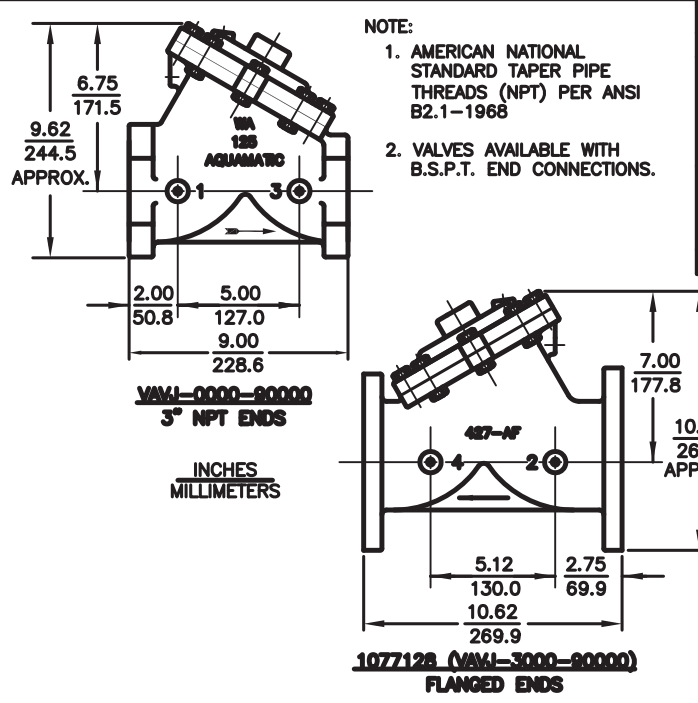


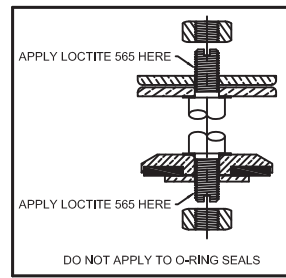
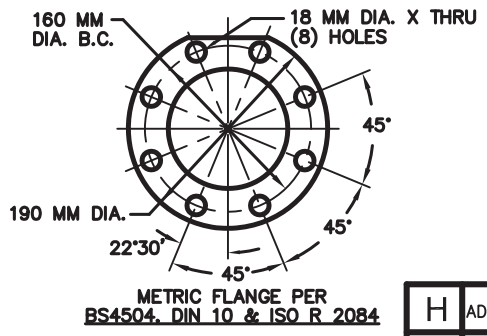
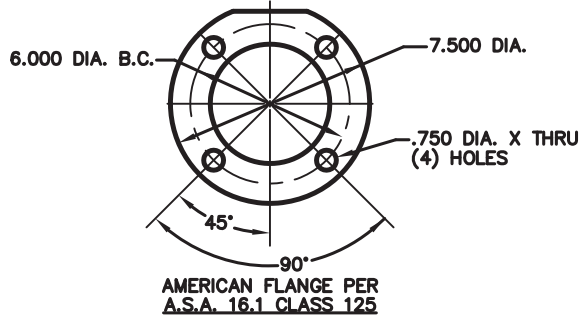
3" AIR VALVE - STANDARD MODEL



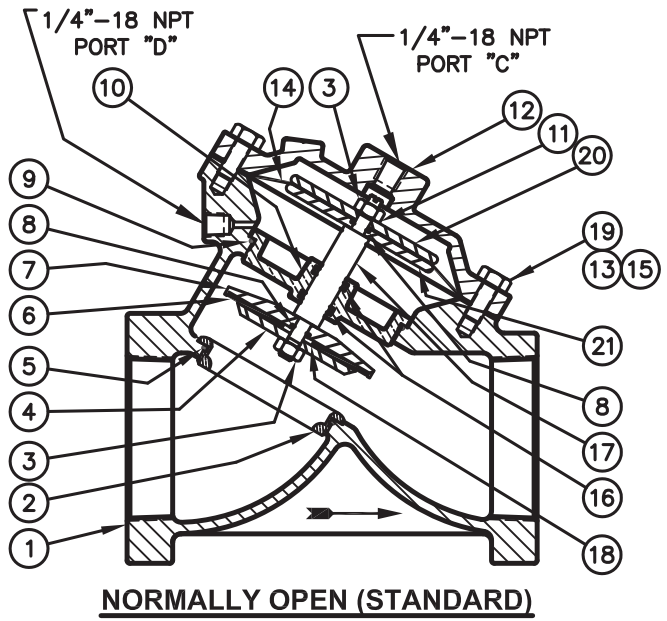
NOTE:
 1. AMERICAN NATIONAL STANDARD TAPER PIPE THREADS (NPT) PER ANSI B2.1-1968
 2. VALVES AVAILABLE WITH B.S.P.T. END CONNECTIONS.

REPAIR PARTS KITS		
DESCRIPTION	PART NO.	
DIAPHRAGM & SEALS KIT CONSISTS OF ITEM NO'S 3(2),5,6,8(2),9,14,16(2)	1070110 (AV7-RA)	1070516 (AV7-RAHT)
	INCLUDES DISC 1074490 (427-JH), DIAPHRAGM 1074475 (427-FB)	INCLUDES DISC 1074491 (427-JT), DIAPHRAGM 1074477 (427-FV)
	INT. PARTS KIT (NORM. OPEN) CONSISTS OF STANDARD ITEM NO'S 4,7,10,11,17,18,20,21	
SEAT (ITEM NO. 2)	1074505	

ASSEMBLY TOOLS	
DESCRIPTION	PART NO.
FOR INSTALLATION & REMOVAL OF SHAFT GUIDE (ITEM #10) (NOT SHOWN)	1-3/16" HEX SOCKET



NO.	DESCRIPTION		STD	PART NO.	QTY.
1	BODY	CAST IRON	THREADED * FLANGED *	1074446 (427-AS) 1074438 (427-AF)	1
2	SEAT		BRASS *	1074505	1
3	HEX NUT	(5/16-24)		1263853	2
4	DISC PLATE		BRASS *	1074494 (427-KA)	1
5	O-RING		FKM *	1071826 (ORV-233)	1
6	DISC		HYCAR *	1074490 (427-JH)	1
			AFLAS		
			GLASS FILLED TEFLON	1074491 (427-JT)	
7	DISC HOLDER		BRASS *	1074483 (427-HA)	1
8	O-RING		FKM *	1071786 (ORV-011)	2
9	O-RING		FKM *	1071828 (ORV-237)	1
10	SHAFT GUIDE (REQ'S ASSY TOOL)		BRASS *	1074478 (427-GAO)	1
12	CAP		CAST IRON *	1074454 (427-C)	1
13	HEX SCREW	3/8"-16	PLATED STEEL *	1072405 (SCZ-0025)	6
14	DIAPHRAGM		BUNA N *	1074475 (427-FB)	1
			FKM	1074477 (427-FV)	
15	HEX NUT	3/8"-16	PLATED STEEL *	1071658 (NUZ-0014)	6
16	O-RING		AFLAS *	1071662 (ORA-114)	2
17	SHAFT (NORMALLY OPEN)			1074496 (427-L)	1
18	DISC SPACER		BRASS *	1074382 (426-HA)	1
19	HEX SCREW	3/8"-16	STN. STL. *	1072359 (SCS-0020)	2
20	UPPER DIAPHRAGM PLATE			1074472 (427-DA)	1
21	LOWER DIAPHRAGM PLATE			1074473 (427-DA)	1



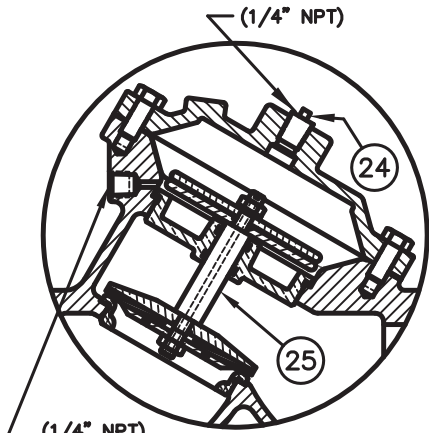
SEE REVERSE SIDE FOR CONFIGURATION OPTIONS

FORM NO. 1077639

H	ADDED LOCTITE APPLICATION BOX INFO	1713	MSM	22JUN07	
REV	DESCRIPTION	ECO	DWN	DATE	APVD
<p>20580 Enterprise Avenue Brookfield, WI 53045 888.784.9065 www.Pentairwatertreatment.com</p>					
<p>SERIES AV7 DIAPHRAGM VALVE STANDARD MODEL</p>					
DRAWN		DATE		DRAWING NO.	
JWB		15MAY01		1084043	

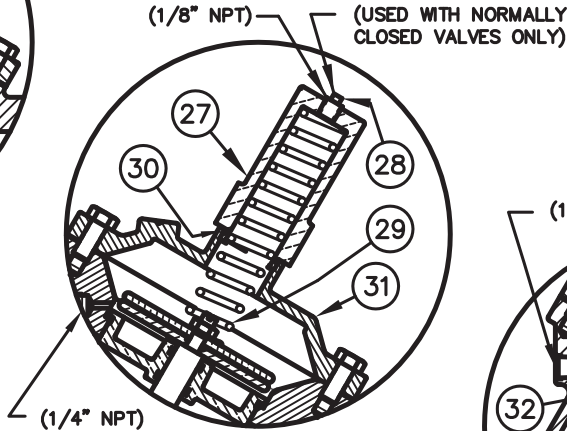
NORMALLY OPEN (STANDARD)

NO.	DESCRIPTION	STD	PART NO.	QTY.
NORMALLY CLOSED MODEL				
24	PIPE PLUG (1/4" N.P.T.)	PLATED STEEL *	1071918 (PLZ-0008)	1
25	SHAFT (NORMALLY CLOSED)	*	1074499 (427-LL)	1
SPRING ASSIST CLOSED MODEL				
27	RETAINER NUT	BRASS *	1074431 (426-TTA)	1
28	PIPE PLUG (1/8" N.P.T.)	BRASS *	1071903 (PLB-0007)	1
29	SPRING	*	1074429 (426-SSB)	1
30	O-RING	*	1071677 (ORB-025)	1
31	CAP	CAST IRON *	1074460 (427-CC)	1
SPRING ASSIST OPEN MODEL				
32	SPRING	*	1078692	1
33	CENTERING WASHER	BRASS *	1074436 (426-V)	1



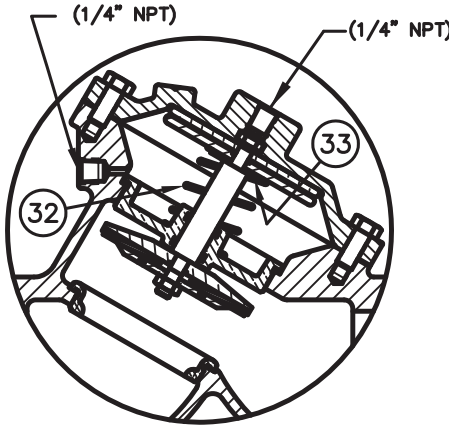
(1/4" NPT)
 VAVJ-0030-90000 (THREADED)
 VAVJ-3030-90000 (FLANGED)

NORMALLY CLOSED



(1/8" NPT) (USED WITH NORMALLY CLOSED VALVES ONLY)
 (1/4" NPT)
 VAVJ-0002-90000 (THREADED)
 1080797 (VAVJ-3002-90000) (FLANGED)

SPRING ASSIST CLOSED



(1/4" NPT) (1/4" NPT)
 VAVJ-0001-90000 (THREADED)
 1072509 (VAVJ-3001-90000) (FLANGED)

SPRING ASSIST OPEN

SEE REVERSE SIDE FOR
 STANDARD NORMALLY OPEN MODEL

REPAIR PARTS KITS	
DESCRIPTION	PART NO.
INT. PARTS KIT (NORM. CLOSED) CONSISTS OF STANDARD ITEM NO'S 4,7,10,11,18,20,21,25	1070518 (AV7-RG)
INT. PARTS KIT (SPRING ASSIST CLOSED) CONSISTS OF STANDARD ITEM NO'S 29,30	
INT. PARTS KIT (SPRING ASSIST OPEN) CONSISTS OF STANDARD ITEM NO'S 32,33	1070520 (AV7-SO)

CONVERSION KITS	
DESCRIPTION	PART NO.
CONVERSION KIT (SPRING ASSIST CLOSED) CONSISTS OF STANDARD ITEM NO'S 27 THRU 31	1070519 (AV7-SCC)
CONVERSION KIT (SPRING ASSIST OPEN) CONSISTS OF STANDARD ITEM NO'S 32,33	1070520 (AV7-SO)

FORM NO. 1077639

H	SEE REVERSE SIDE	1713	MSM	22JUN07	
REV	DESCRIPTION	ECO	DWN	DATE	APVD
20580 Enterprise Avenue Brookfield, WI 53045 888.784.9065 www.Pentairwatertreatment.com					
SERIES AV7 DIAPHRAGM VALVE STANDARD MODEL					
DRAWN	JWB	DATE	15MAY01	DRAWING NO.	1084043