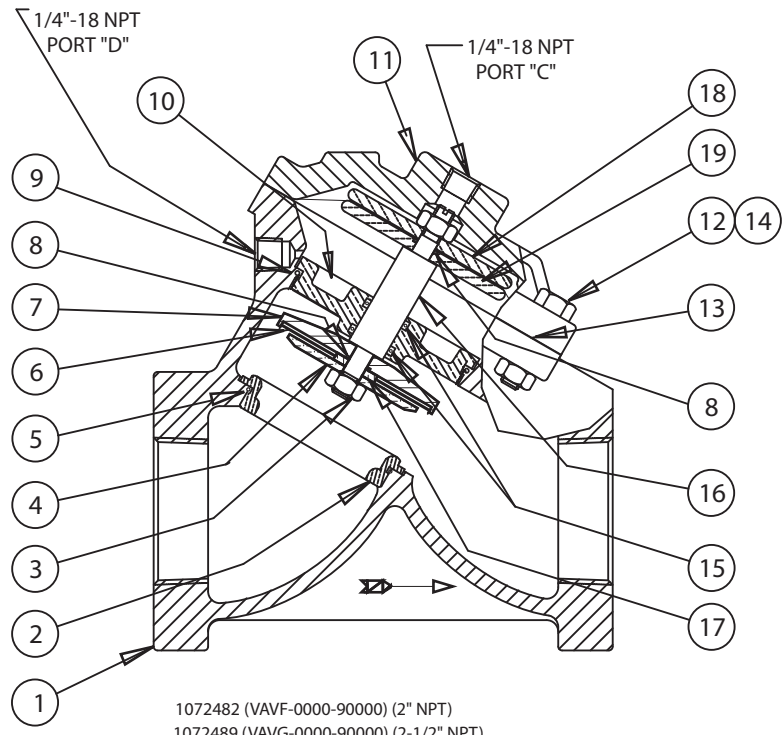


REPAIR PARTS KITS		
DESCRIPTION	PART NO.	
DIAPHRAGM & SEALS KIT CONSISTS OF ITEM NO'S 3(2), 5, 6, 8(2), 9, 13, 15(2)	1070109 (AV6-RA)	1070510 (AV6-RAHT)
	INCLUDES DISC P/N 1074392 (HYCAR) AND DIAPHRAGM P/N 1074374 (BUNA N)	INCLUDES HEX P/N 1074393 (TEFLON) AND DIAPHRAGM P/N 1074376 (FKM)
INT. PARTS KIT (NORM. OPEN) CONSISTS OF STANDARD ITEM NO'S 4, 7, 10, 16, 17, 18, 19	1070511 (AV6-RF)	
SEAT (ITEM NO. 2)	1074407	

ASSEMBLY TOOLS	
DESCRIPTION	PART NO.
FOR INSTALLATION & REMOVAL OF SEAT (ITEM #2) (TOOL NOT SHOWN)	1074411 (426-MT)
FOR INSTALLATION & REMOVAL OF SHAFT GUIDE (ITEM #10) (TOOL NOT SHOWN)	1-3/16" HEX SOCKET

NO.	DESCRIPTION	PART NO.	QTY.
1	BODY (CAST IRON)	2" NPT	1074343
		2 1/2" NPT	1081559
2	SEAT (BRASS) *	1074409	1
3	HEX NUT (5/16-24) (STAINLESS STEEL)	1263853	2
4	DISC PLATE (BRASS)	1074396	1
5	O-RING (FKM)	1071795	1
6	DISC	HYCAR	1074392
		AFLAS	
		TEFLON	1074393
7	DISC HOLDER (BRASS)	1074383	1
8	O-RING (FKM)	1071786	2
9	O-RING (FKM)	1071826	1
10	SHAFT GUIDE (BRASS) *	1074377	1
11	CAP (CAST IRON)	1081560	1
12	HEX SCREW (5/16-18) (PLATED STEEL)	1072401	6
13	DIAPHRAGM	BUNA N	1074374
		FKM	1074376
14	HEX NUT (5/16-18) (PLATED STEEL)	1071657	6
15	O-RING (AFLAS)	1071662	2
16	SHAFT (STAINLESS STEEL)	1074400	1
17	DISC SPACER (BRASS)	1074382	1
18	DIAPHRAGM PLATE - UPPER (STN. STL.)	1074371	1
19	DIAPHRAGM PLATE - LOWER (STN. STL.)	1074372	1

* REQUIRES ASSEMBLY TOOL

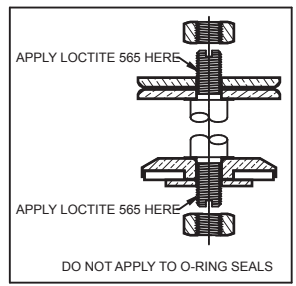


1072482 (VAVF-0000-90000) (2" NPT)
1072489 (VAVG-0000-90000) (2-1/2" NPT)

NORMALLY OPEN (STANDARD)

NOTE:

1. AMERICAN NATIONAL STANDARD TAPER PIPE THREADS (NPT) PER ANSI B2.1-1968
2. VALVES AVAILABLE WITH B.S.P.T. END CONNECTIONS.

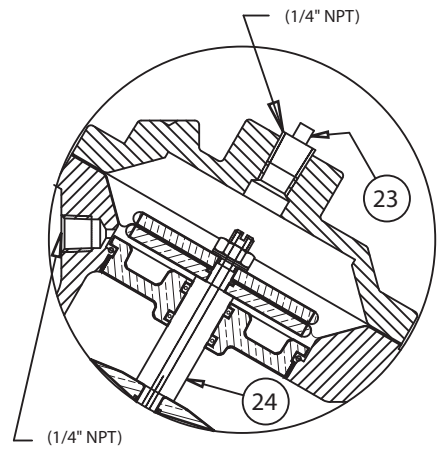


SEE REVERSE SIDE FOR CONFIGURATION OPTIONS

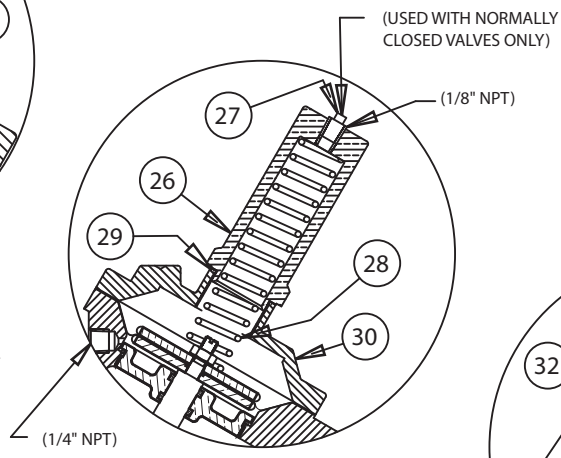
FORM NO. 1077638

H	SEAT P/N 1074409 WAS 1074407	1696	MSM	01OCT07	SMN
REV	DESCRIPTION	ECO	DWN	DATE	APVD
		20580 Enterprise Avenue Brookfield, WI 53045 888.784.9065 www.Pentairwatertreatment.com			
SERIES AV6 DIAPHRAGM VALVE STANDARD MODEL					
DRAWN	JWB	DATE	15MAY01	DRAWING NO.	1084042

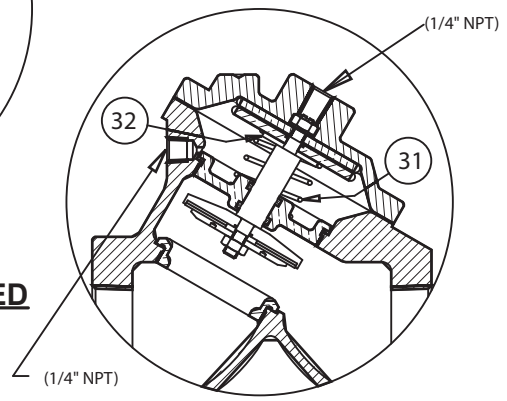
NO.	DESCRIPTION	PART NO.	QTY.
NORMALLY CLOSED MODEL			
23	PIPE PLUG - 1/4" (PLATED STEEL)	1071918	1
24	SHAFT - NORM. CLOSED (STAINLESS STEEL)	1074402	1
SPRING ASSIST CLOSED MODEL			
26	SPRING RETAINER NUT (BRASS)	1074431	1
27	PIPE PLUG - 1/8" (BRASS)	1071903	1
28	SPRING	1074429	1
29	O-RING (BUNA N)	1071677	1
30	CAP - SAC (CAST IRON)	1074352	1
SPRING ASSIST OPEN MODEL			
31	SPRING	1078692	1
32	SPRING CENTERING WASHER (BRASS)	1074436	1



(1/4" NPT)
 (VAVG-0030-90000) (2" NPT)
 1080794 (VAVH-0030-90000) (2-1/2" NPT)
NORMALLY CLOSED



(USED WITH NORMALLY CLOSED VALVES ONLY)
 (1/8" NPT)
 1077120 (VAVG-0002-90000) (2" NPT)
 VAVH-0002-90000 (2-1/2" NPT)
SPRING ASSIST CLOSED



(1/4" NPT)
 1072491 (VAVG-0001-90000) (2" NPT)
 1072497 (VAVH-0001-90000) (2-1/2" NPT)
SPRING ASSIST OPEN

SEE REVERSE SIDE FOR
 STANDARD NORMALLY OPEN MODEL

REPAIR PARTS KITS	
DESCRIPTION	PART NO.
INT. PARTS KIT (NORM. CLOSED) CONSISTS OF STANDARD ITEM NO'S 4, 7, 10, 17, 18, 19, 24	1070512 (AV6-RG)
INT. PARTS KIT (SPRING ASSIST CLOSED) CONSISTS OF STANDARD ITEM NO'S 28 & 29	1070513 (AV6-SC)
INT. PARTS KIT (SPRING ASSIST OPEN) CONSISTS OF STANDARD ITEM NO'S 31 & 32	1070515 (AV6-SO)

CONVERSION KITS	
DESCRIPTION	PART NO.
CONVERSION KIT (SPRING ASSIST CLOSED) CONSISTS OF STANDARD ITEM NO'S 26 THRU 30	1070514 (AV6-SCC)
CONVERSION KIT (SPRING ASSIST OPEN) CONSISTS OF STANDARD ITEM NO'S 31 & 32	1070515 (AV6-SO)

FORM NO. 1077638

H	SEE REVERSE SIDE	1696	MSM	01OCT07	SMN
REV	DESCRIPTION	ECO	DWN	DATE	APVD
		20580 Enterprise Avenue Brookfield, WI 53045 888.784.9065 www.Pentairwatertreatment.com			
SERIES AV6 DIAPHRAGM VALVE STANDARD MODEL					
DRAWN	JWB	DATE	15MAY01	DRAWING NO.	1084042