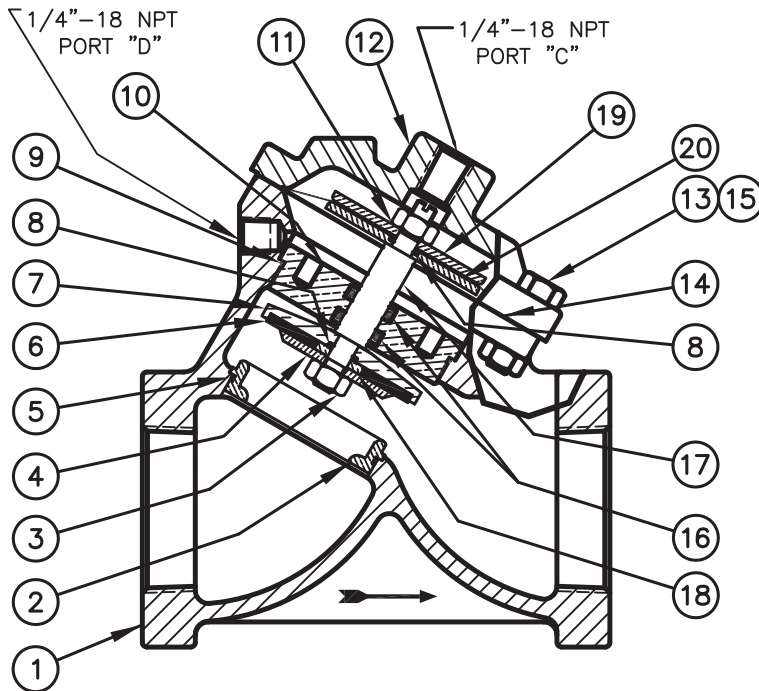


REPAIR PARTS KITS		
DESCRIPTION	PART NO.	
DIAPHRAGM & SEALS KIT CONSISTS OF ITEM NO'S 3(2),5,6,8(2),9,14,16(2)	1070108 (AV5-RA)	1070503 (AV5-RAHT)
	INCLUDES DISC 1074310 (425-JH), DIAPHRAGM 1074296 (425-FB)	INCLUDES DISC 1074311 (425-JT), DIAPHRAGM 1074297 (425-FV)
	1070504 (AV5-RF)	
INT. PARTS KIT (NORM. OPEN) CONSISTS OF STANDARD ITEM NO'S 4,7,10,17,18,19,20	1070504 (AV5-RF)	
SEAT (ITEM NO. 2)	1074321 (425-MO)	

ASSEMBLY TOOLS	
DESCRIPTION	PART NO.
FOR INSTALLATION & REMOVAL OF SEAT (ITEM #2) (TOOL NOT SHOWN)	1074411 (426-MT)
FOR INSTALLATION & REMOVAL OF SHAFT GUIDE (ITEM #10) (TOOL NOT SHOWN)	1074299 (425-GAT)

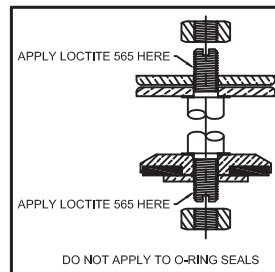
NO.	DESCRIPTION	STD	PART NO.	QTY.
1	BODY CAST IRON 2" NPT	*	1074277 (425-A)	1
2	SEAT (REQ'S ASSY TOOL) BRASS	*	1074321 (425-MO)	1
3	HEX NUT (5/16"-24)	*	1263853	2
4	DISC PLATE BRASS	*	1074313 (425-KA)	1
5	O-RING FKM	*	1071794 (ORV-035)	1
6	DISC			1
		HYCAR	* 1074310 (425-JH)	
		AFLAS		
	GLASS FILLED TEFLON		1074311 (425-JT)	
7	DISC HOLDER BRASS	*	1074304 (425-HA)	1
8	O-RING VITON	*	1071786 (ORV-011)	2
9	O-RING VITON	*	1071795 (ORV-038)	1
10	SHAFT GUIDE (REQ'S ASSY TOOL) BRASS	*	1074298 (425-GAO)	1
12	CAP CAST IRON	*	1074281 (425-C)	1
13	HEX SCREW 5/16"-18 PLATED STEEL	*	1072400 (SCZ-0013)	6
14	DIAPHRAGM	BUNA N	* 1074296 (425-FB)	1
		FKM	1074297 (425-FV)	
15	HEX NUT 5/16"-18 PLATED STEEL	*	1071657 (NUZ-0011)	6
16	O-RING AFLAS	*	1071664 (ORA-206)	2
17	SHAFT (NORMALLY OPEN)	*	1074315 (425-LAA)	1
18	DISC SPACER BRASS	*	1074382 (426-HA)	1
19	UPPER DIAPHRAGM PLATE	*	1074294 (425-DA)	1
20	LOWER DIAPHRAGM PLATE	*	1074295 (425-DA)	1



1072482 (WAV-0000-90000) (2" NPT)
NORMALLY OPEN (STANDARD)

NOTE:

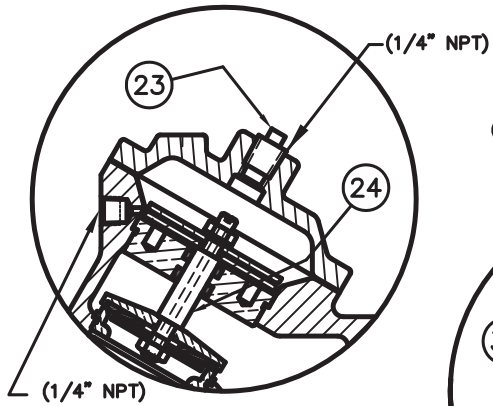
1. AMERICAN NATIONAL STANDARD TAPER PIPE THREADS (NPT) PER ANSI B2.1-1968
2. VALVES AVAILABLE WITH B.S.P.T. END CONNECTIONS.



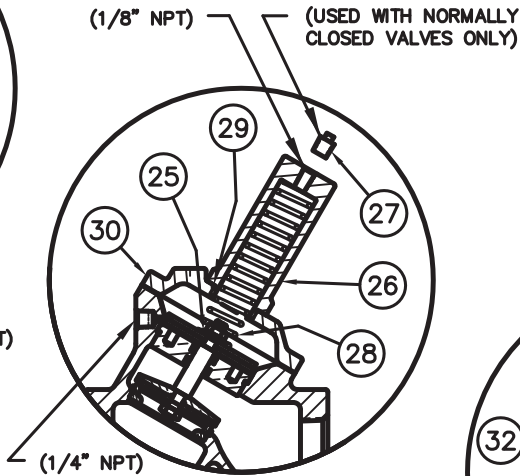
SEE REVERSE SIDE FOR
CONFIGURATION OPTIONS

FORM NO. 1077637

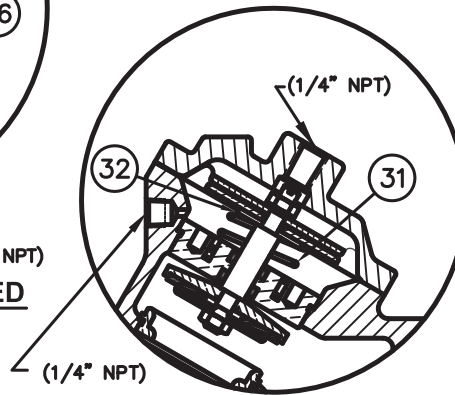
G	ADDED LOCTITE APPLICATION BOX INFO	1713	MSM	22Jun07	
REV	DESCRIPTION	ECO	DWN	DATE	APVD
<p>20580 Enterprise Avenue Brookfield, WI 53045 888.784.9065 www.Pentairwatertreatment.com</p>					
<p>SERIES AV5 DIAPHRAGM VALVE STANDARD MODEL</p>					
DRAWN		DATE		DRAWING NO.	
JWB		14MAY01		1084041	



1072486 (VAVF-0030-90000) (2" NPT)
NORMALLY CLOSED



1072485 (VAVF-0002-90000) (2" NPT)
SPRING ASSIST CLOSED



1072484 (VAVF-0001-90000) (2" NPT)
SPRING ASSIST OPEN

NO.	DESCRIPTION	STD	PART NO.	QTY.
NORMALLY CLOSED MODEL				
23	PIPE PLUG (1/4" N.P.T.)	PLATED STEEL *	1071918 (PLZ-0008)	1
24	SHAFT (NORMALLY CLOSED)	*	1074318 (425-LLA)	1
SPRING ASSIST CLOSED MODEL				
25	CENTERING WASHER	*	1074083 (421-AH)	1
26	RETAINER NUT	BRASS *	1074431 (426-TTA)	1
27	PIPE PLUG (1/8" N.P.T.)	BRASS *	1071903 (PLB-0007)	1
28	SPRING	*	1074429 (426-SSB)	1
29	O-RING	*	1071677 (ORB-025)	1
30	CAP	CAST IRON *	1074284 (425-CA)	1
SPRING ASSIST OPEN MODEL				
31	SPRING	*	1078692	1
32	CENTERING WASHER	BRASS *	1074436 (426-V)	1

SEE REVERSE SIDE FOR
STANDARD NORMALLY OPEN MODEL

CONVERSION KITS	
DESCRIPTION	PART NO.
CONVERSION KIT (SPRING ASSIST CLOSED) CONSISTS OF STANDARD ITEM NO'S 25 THRU 30	1070507 (AV5-SCC)
CONVERSION KIT (SPRING ASSIST OPEN) CONSISTS OF STANDARD ITEM NO'S 31,32	1070508 (AV5-SO)

REPAIR PARTS KITS	
DESCRIPTION	PART NO.
INT. PARTS KIT (NORM. CLOSED) CONSISTS OF STANDARD ITEM NO'S 4,7,10,18,19,20,24	1070505 (AV5-RG)
INT. PARTS KIT (SPRING ASSIST CLOSED) CONSISTS OF STANDARD ITEM NO'S 25,28,29	1070506 (AV5-SC)
INT. PARTS KIT (SPRING ASSIST OPEN) CONSISTS OF STANDARD ITEM NO'S 31,32	1070508 (AV5-SO)

FORM NO. 1077637

G	SEE REVERSE SIDE	1713	MSM	22Jun07	
REV	DESCRIPTION	ECO	DWN	DATE	APVD
		20580 Enterprise Avenue Brookfield, WI 53045 888.784.9065 www.Pentairwatertreatment.com			
SERIES AV5 DIAPHRAGM VALVE STANDARD MODEL					
DRAWN	JWB	DATE	14MAY01	DRAWING NO.	1084041