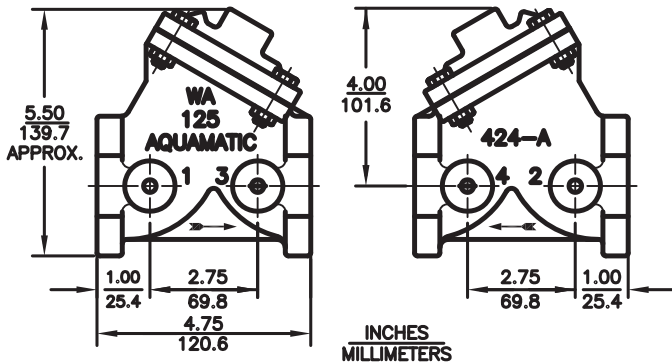


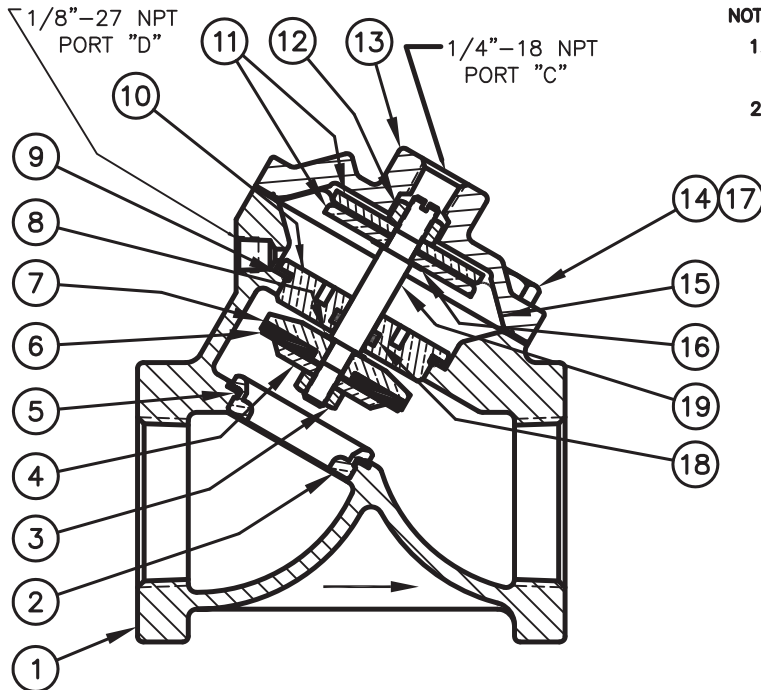
1-1/4" & 1-1/2" AIR VALVE - STANDARD MODEL



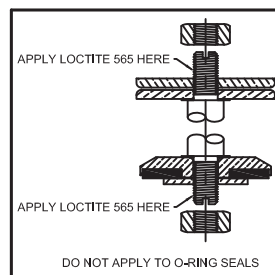
REPAIR PARTS KITS		
DESCRIPTION	PART NO.	
DIAPHRAGM & SEALS KIT CONSISTS OF ITEM NO'S 3,5,6,8,9,12,15,16,18	1070107 (AV4-RA)	1070502 (AV4-RAHT)
	INCLUDES DISC 1074234 (424-JH), DIAPHRAGM	INCLUDES DISC 1074235 (424-JT), DIAPHRAGM
	1074222 (424-FB)	1074224 (424-FV)
INT. PARTS KIT (NORM. OPEN) CONSISTS OF STANDARD ITEM NO'S 4,7,10,11(2),19	1070119 (424-RF)	
SEAT (ITEM NO. 2)	1074245 (424-MO)	

ASSEMBLY TOOLS	
DESCRIPTION	PART NO.
FOR INSTALLATION & REMOVAL OF SEAT (ITEM #2) (TOOL NOT SHOWN)	1074247 (424-MT)
FOR INSTALLATION & REMOVAL OF SHAFT GUIDE (ITEM #10) (TOOL NOT SHOWN)	1074227 (424-GT)

- NOTE:
1. AMERICAN NATIONAL STANDARD TAPER PIPE THREADS (NPT) PER ANSI B2.1-1968
 2. VALVES AVAILABLE WITH B.S.P.T. END CONNECTIONS.



VAVD-0000-80000 (1-1/4" NPT)
1072475 (VAVE-0000-80000) (1-1/2" NPT)
NORMALLY OPEN (STANDARD)



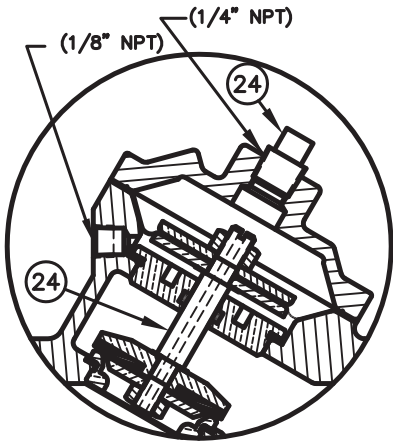
NO.	DESCRIPTION	STD	PART NO.	QTY.
1	BODY CAST IRON	1-1/4" NPT	* 1074196 (424-A5)	1
		1-1/2" NPT	* 1074199 (424-A6)	
2	SEAT (REQ'S ASSY TOOL)	BRASS	* 1074245 (424-MO)	1
3	HEX NUT (1/4-28)		* 1263852	1
4	DISC PLATE	BRASS	* 1074237 (424-K)	1
5	O-RING	FKM	* 1071793 (ORV-028)	1
6	DISC	HYCAR	* 1074234 (424-JH)	1
		AFLAS		
		GLASS FILLED TEFLON	1074235 (424-JT)	
7	DISC HOLDER	BRASS	* 1074229 (424-H)	1
8	GASKET	COPPER	* 1073948 (200-GG)	1
9	O-RING	FKM	* 1071806 (ORV-132)	1
10	SHAFT GUIDE (REQ'S ASSY TOOL)	BRASS	* 1074225 (424-GG0)	1
11	DIAPHRAGM PLATE	BRASS	* 1074220 (424-D)	2
12	HEX NUT (5/16-24)		* 1263853	1
13	CAP	CAST IRON	* 1074202 (424-C)	1
14	HEX SCREW 1/4"-20	PLATED STEEL	* 1072399 (SCZ-0007)	4
15	DIAPHRAGM	BUNA N	* 1074222 (424-FB)	1
		FKM	1074224 (424-FV)	
16	GASKET	COPPER	* 1074252 (424-R)	1
17	HEX NUT 1/4"-20	PLATED STEEL	1071656 (NUZ-0008)	4
18	O-RING	AFLAS	* 1071661 (ORA-110)	1
19	SHAFT (NORMALLY OPEN)		* 1074239 (424-L)	1

SEE REVERSE SIDE FOR CONFIGURATION OPTIONS

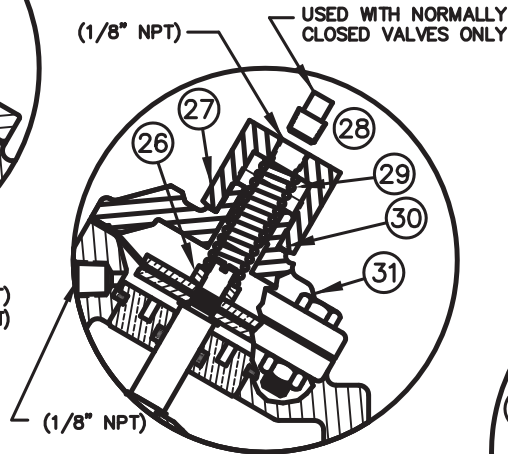
FORM NO. 1077636

F	ADDED LOCTITE APPLICATION BOX INFO	1713	MSM	20JUN07	
REV	DESCRIPTION	ECO	DWN	DATE	APVD
		20580 Enterprise Avenue Brookfield, WI 53045 888.784.9065 www.Pentairwatertreatment.com			
SERIES AV4 DIAPHRAGM VALVE STANDARD MODEL					
DRAWN	JWB	DATE	14MAY01	DRAWING NO.	1084040

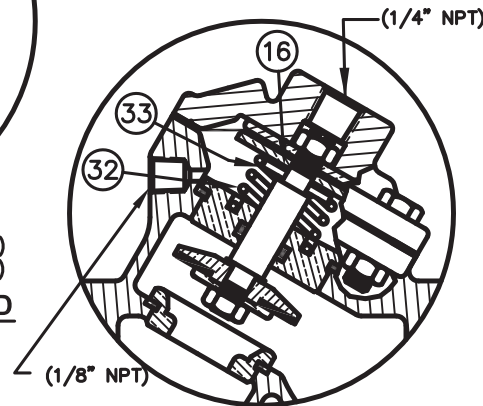
1-1/4" & 1-1/2" AIR VALVE - OPTIONAL MODELS



VAVD-0030-90000 (1-1/4" NPT)
1072479 (VAVE-0030-90000) (1-1/2" NPT)
NORMALLY CLOSED



1072472 (VAVD-0002-90000) (1-1/4" NPT)
1072477 (VAVE-0002-90000) (1-1/2" NPT)
SPRING ASSIST CLOSED



1072471 (VAVD-0001-90000) (1-1/4" NPT)
1070064 (VAVE-0001-90000) (1-1/2" NPT)
SPRING ASSIST OPEN


NO.	DESCRIPTION	STD	PART NO.	QTY.
NORMALLY CLOSED MODEL				
24	PIPE PLUG (1/4" N.P.T.)	PLATED STEEL *	1071918 (PLZ-0008)	1
25	SHAFT (NORMALLY CLOSED)	*	1074241 (424-LL)	1
SPRING ASSIST CLOSED MODEL				
26	CENTERING NUT	*	1074276 (424-X)	1
27	RETAINER NUT	BRASS *	1074274 (424-TT)	1
28	PIPE PLUG (1/8" N.P.T.)	BRASS *	1071903 (PLB-0007)	1
29	SPRING	*	1074270 (424-SS)	1
30	O-RING	*	1071674 (ORB-020)	1
31	CAP	CAST IRON *	1074208 (424-CC)	1
SPRING ASSIST OPEN MODEL				
16	GASKET	COPPER *	1074252 (424-R)	1
32	SPRING	*	1236766	1
33	CENTERING WASHER	BRASS *	1074382 (426-HA)	1

SEE REVERSE SIDE FOR
STANDARD NORMALLY OPEN MODEL

REPAIR PARTS KITS	
DESCRIPTION	PART NO.
INT. PARTS KIT (NORM. CLOSED) CONSISTS OF STANDARD ITEM NO'S 4,7,10,11(2),25	1070130 (424-RG)
INT. PARTS KIT (SPRING ASSIST CLOSED) CONSISTS OF STANDARD ITEM NO'S 26,29,30	1074265 (424-SC)
INT. PARTS KIT (SPRING ASSIST OPEN) CONSISTS OF STANDARD ITEM NO'S 16,32,33	1074268 (424-SO)

CONVERSION KITS	
DESCRIPTION	PART NO.
CONVERSION KIT (SPRING ASSIST CLOSED) CONSISTS OF STANDARD ITEM NO'S 26 THRU 31	1074266 (424-SCC)
CONVERSION KIT (SPRING ASSIST OPEN) CONSISTS OF STANDARD ITEM NO'S 10,16,32,33	1074269 (424-SOC)

FORM NO. 1077636

F	SEE REVERSE SIDE	1713	MSM	20JUN07	
REV	DESCRIPTION	ECO	DWN	DATE	APVD
 20580 Enterprise Avenue Brookfield, WI 53045 888.784.9065 www.Pentairwatertreatment.com					
SERIES AV4 DIAPHRAGM VALVE					
STANDARD MODEL					
DRAWN	JWB	DATE	14MAY01	DRAWING NO.	1084040