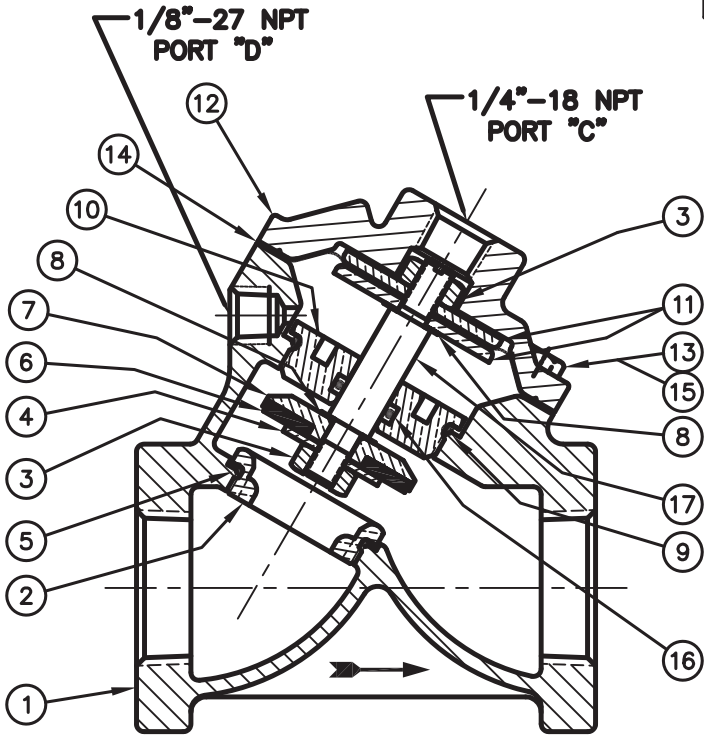


INCHES  
MILLIMETERS

| REPAIR PARTS KITS  |  |  |
|--|--|--|
| DESCRIPTION  | PART NO.   |  |
| DIAPHRAGM & SEALS KIT<br>CONSISTS OF ITEM NO'S<br>3(2),5,6,8(2),9,14,16          | 1070106 (AV1-RA)<br>INCLUDES<br>DISC 1074144 (421-JH),<br>DIAPHRAGM<br>1074119 | 1070498 (AV1-RAHT)<br>INCLUDES<br>DISC 1074145 (421-JT),<br>DIAPHRAGM<br>1074120 |
| INT. PARTS KIT (NORM. OPEN)<br>CONSISTS OF STANDARD<br>ITEM NO'S 4,7,10,11(2),17 | 1070118 (421-RF)   |  |
| SEAT (ITEM NO. 2)  | 1074158 (421-MO)   |  |

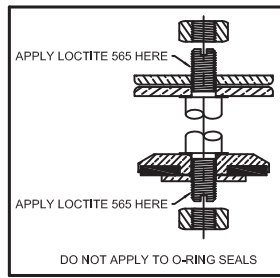
| ASSEMBLY TOOLS   |                  |
|--|------------------|
| DESCRIPTION  | PART NO.         |
| FOR INSTALLATION & REMOVAL OF<br>SEAT (ITEM #2) (TOOL NOT SHOWN)         | 1074161 (421-MT) |
| FOR INSTALLATION & REMOVAL OF SHAFT<br>GUIDE (ITEM #10) (TOOL NOT SHOWN) | 1074124 (421-GT) |

| NO. | DESCRIPTION                   | STD                 | PART NO.                                 | QTY. |
|-----|-------------------------------|---------------------|--|------|
| 1   | BODY CAST IRON                | 3/4" NPT<br>1" NPT  | * 1074085 (421-A3)<br>* 1074088 (421-A4) | 1    |
| 2   | SEAT (REQ'S ASSY TOOL)        | BRASS               | * 1074158 (421-MO)                       | 1    |
| 3   | HEX NUT (1/4-28)              |                     | * 1263852                                | 2    |
| 4   | DISC PLATE                    | BRASS               | * 1074147 (421-K)                        | 1    |
| 5   | O-RING                        | FKM                 | * 1071791 (ORV-024)                      | 1    |
| 6   | DISC                          | HYCAR               | * 1074144 (421-JH)                       | 1    |
|     |                               | AFLAS               | 1074141 (421-JA)                         |      |
|     |                               | GLASS FILLED TEFLON | 1074145 (421-JT)                         |      |
| 7   | DISC HOLDER                   | BRASS               | * 1074126 (421-H)                        | 1    |
| 8   | GASKET                        | COPPER              | * 1073948 (200-GG)                       | 2    |
| 9   | O-RING                        | FKM                 | * 1071803 (ORV-125)                      | 1    |
| 10  | SHAFT GUIDE (REQ'S ASSY TOOL) | BRASS               | * 1074122 (421-GG0)                      | 1    |
| 11  | DIAPHRAGM PLATE               | BRASS               | * 1074117 (421-D)                        | 2    |
| 12  | CAP                           | CAST IRON           | * 1074093 (421-C)                        | 1    |
| 13  | HEX SCREW 1/4"-20             | PLATED STEEL        | * 1072398 (SCZ-0004)                     | 4    |
| 14  | DIAPHRAGM                     | BUNA N              | * 1074119                                | 1    |
|     |                               | FKM                 | 1074120                                  |      |
| 15  | HEX NUT 1/4"-20               | PLATED STEEL        | * 1071656 (NUZ-0008)                     | 4    |
| 16  | O-RING                        | AFLAS               | * 1071661 (ORA-110)                      | 1    |
| 17  | SHAFT (NORMALLY OPEN)         |                     | * 1074150 (421-L)                        | 1    |



1072459 (VAVB-0000-80000) (3/4" NPT)  
1072464 (VAVC-0000-80000) (1" NPT)  
**NORMALLY OPEN (STANDARD)**

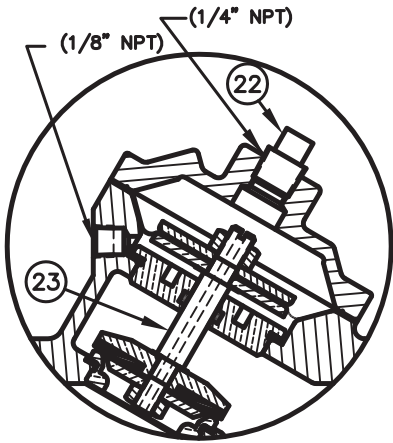
- NOTE:
1. AMERICAN NATIONAL STANDARD TAPER PIPE THREADS (NPT) PER ANSI B2.1-1968
  2. VALVES AVAILABLE WITH B.S.P.T. END CONNECTIONS.



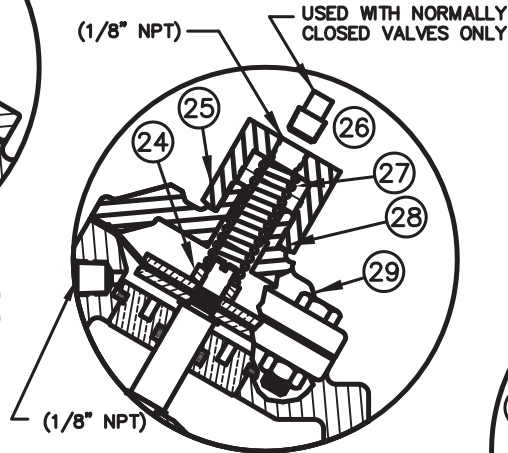
SEE REVERSE SIDE FOR CONFIGURATION OPTIONS

FORM NO. 1077635

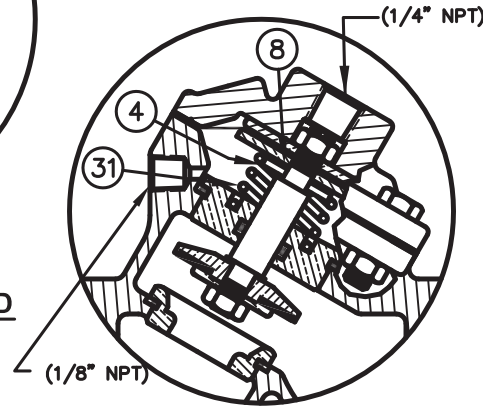
|  |                                    |         |     |             |      |
|--|------------------------------------|---------|-----|-------------|------|
| H  | ADDED LOCTITE APPLICATION BOX INFO | 1713    | MSM | 20JUN07     |      |
| REV  | DESCRIPTION                        | ECO     | DWN | DATE        | APVD |
| <p>20580 Enterprise Avenue<br/>Brookfield, WI 53045<br/>888.784.9065<br/>www.Pentairwatertreatment.com</p> |                                    |         |     |             |      |
| <p><b>SERIES VAV1 DIAPHRAGM VALVE</b><br/><b>3/4" &amp; 1" NPT OR BSPT</b></p>                             |                                    |         |     |             |      |
| DRAWN  |                                    | DATE    |     | DRAWING NO. |      |
| JWB  |                                    | 14MAY01 |     | 1084039     |      |



1072462 (VAVB-0030-90000) (3/4" NPT)  
 1072469 (VAVC-0030-90000) (1" NPT)  
NORMALLY CLOSED



1072461 (VAVB-0002-90000) (3/4" NPT)  
 1072467 (VAVC-0002-90000) (1" NPT)  
SPRING ASSIST CLOSED



1070056 (VAVB-0001-90000) (3/4" NPT)  
 1070060 (VAVC-0001-90000) (1" NPT)  
SPRING ASSIST OPEN

| NO.                               | DESCRIPTION             | STD            | PART NO.           | QTY. |
|-----------------------------------|-------------------------|----------------|--------------------|------|
| <b>NORMALLY CLOSED MODEL</b>      |                         |                |                    |      |
| 22                                | PIPE PLUG (1/4" N.P.T.) | PLATED STEEL * | 1071918 (PLZ-0008) | 1    |
| 23                                | SHAFT (NORMALLY CLOSED) | *              | 1074153 (421-LL)   | 1    |
| <b>SPRING ASSIST CLOSED MODEL</b> |                         |                |                    |      |
| 24                                | CENTERING NUT           | *              | 1074185 (421-X)    | 1    |
| 25                                | RETAINER NUT            | BRASS *        | 1074183 (421-TT)   | 1    |
| 26                                | PIPE PLUG (1/8" N.P.T.) | BRASS *        | 1071903 (PLB-0007) | 1    |
| 27                                | SPRING                  | *              | 1078602            | 1    |
| 28                                | O-RING                  | *              | 1071674 (ORB-020)  | 1    |
| 29                                | CAP                     | CAST IRON *    | 1074099 (421-CC)   | 1    |
| <b>SPRING ASSIST OPEN MODEL</b>   |                         |                |                    |      |
| 4                                 | DISC PLATE              | BRASS *        | 1074147 (421-K)    | 1    |
| 8                                 | GASKET                  | COPPER *       | 1073948            | 1    |
| 31                                | SPRING                  | *              | 1078608            | 1    |

SEE REVERSE SIDE FOR  
 STANDARD NORMALLY OPEN MODEL

| REPAIR PARTS KITS  |                  |
|--|------------------|
| DESCRIPTION  | PART NO.         |
| INT. PARTS KIT (NORM. CLOSED)<br>CONSISTS OF STANDARD<br>ITEM NO'S 4,7,10,11(2),23 | 1070129 (421-RG) |
| INT. PARTS KIT (SPRING ASSIST CLOSED)<br>CONSISTS OF STANDARD ITEM NO'S 24,27,28   | 1074176 (421-SC) |
| INT. PARTS KIT (SPRING ASSIST OPEN)<br>CONSISTS OF STANDARD ITEM NO'S 4,8,31       | 1074178 (421-SO) |

| CONVERSION KITS  |                   |
|--|-------------------|
| DESCRIPTION  | PART NO.          |
| CONVERSION KIT (SPRING ASSIST CLOSED)<br>CONSISTS OF STANDARD ITEM NO'S 24 THRU 29 | 1074177 (421-SCC) |
| CONVERSION KIT (SPRING ASSIST OPEN)<br>CONSISTS OF STANDARD ITEM NO'S 4,8,10,31    | 1074179 (421-SOC) |

FORM NO. 1077635

|  |                  |  |         |                        |
|--|------------------|--|---------|------------------------|
| H  | SEE REVERSE SIDE | 1713   | MSM     | 20JUN07                |
| REV  | DESCRIPTION      | ECO  | DWN     | DATE                   |
|  |                  | 20580 Enterprise Avenue<br>Brookfield, WI 53045<br>888.784.9065<br>www.Pentairwatertreatment.com |         |                        |
| <b>SERIES VAV1 DIAPHRAGM VALVE</b><br><b>3/4" &amp; 1" NPT OR BSPT</b> |                  |  |         |                        |
| DRAWN  | JWB              | DATE   | 14MAY01 | DRAWING NO.<br>1084039 |