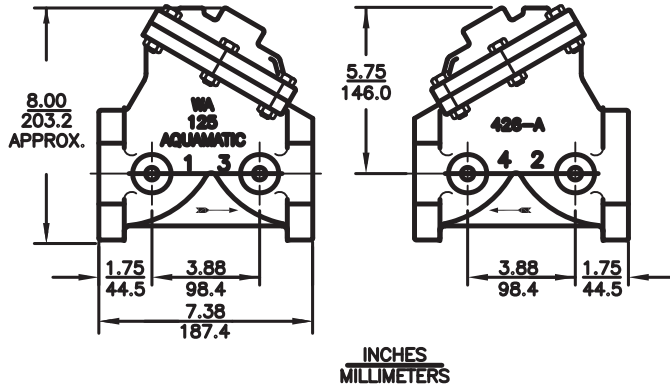


2" & 2-1/2" DIAPHRAGM VALVE - STANDARD MODEL



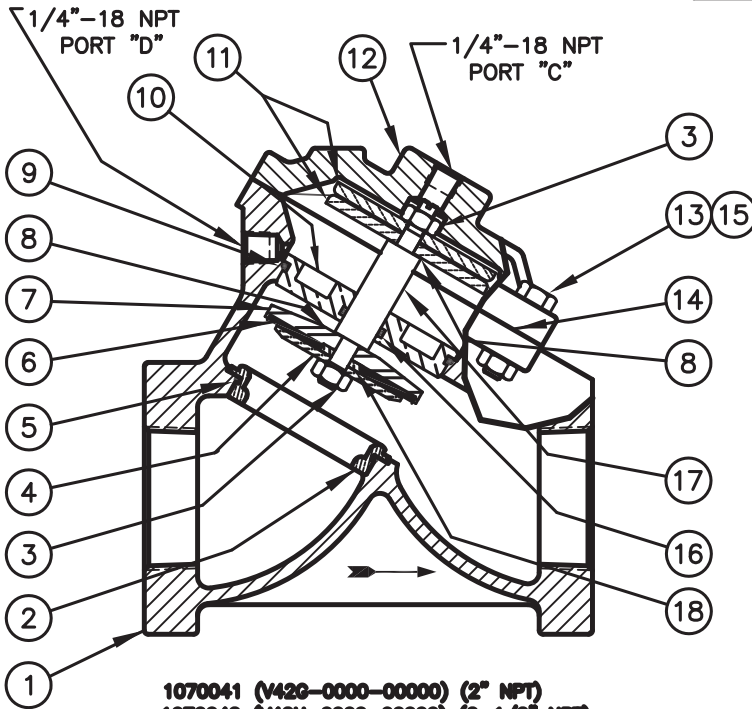
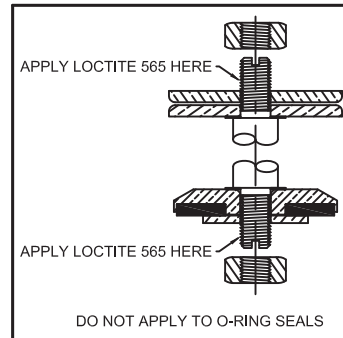
REPAIR PARTS KITS			
DESCRIPTION	PART NO.		
DIAPHRAGM & SEALS KIT CONSISTS OF ITEM NO'S 3(2),5,6,8(2),9,14,16	1070071 (426-RA)	1070084 (426-RAE)	1070096 (426-RAV)
	BUNA N INCLUDES DIAPHRAGM	E.P.D.M. INCLUDES DIAPHRAGM	FKM INCLUDES DIAPHRAGM
	1074374 (426-FB)	1074374 (426-FB)	1074376 (426-FV)
INT. PARTS KIT (NORM. OPEN) CONSISTS OF STANDARD ITEM NO'S 4,7,10,11(2),17,18	1070121 (426-RF)		
SEAT (ITEM NO. 2)	1074409 (426-MO)		

ASSEMBLY TOOLS	
DESCRIPTION	PART NO.
FOR INSTALLATION & REMOVAL OF SEAT (ITEM #2) (TOOL NOT SHOWN)	1074411 (426-MT)
FOR INSTALLATION & REMOVAL OF SHAFT GUIDE (ITEM #10) (TOOL NOT SHOWN)	1-1/4" HEX SOCKET

**NOTE:**

1. AMERICAN NATIONAL STANDARD TAPER PIPE THREADS (NPT) PER ANSI B2.1-1968
2. VALVES AVAILABLE WITH B.S.P.T. END CONNECTIONS.

SEE REVERSE SIDE FOR CONFIGURATION OPTIONS



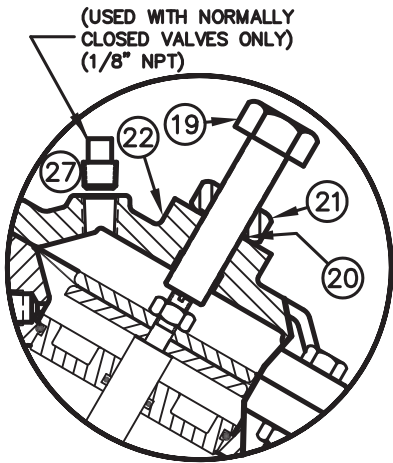
1070041 (V426-0000-00000) (2" NPT)  
1070042 (V42H-0000-00000) (2-1/2" NPT)

**NORMALLY OPEN (STANDARD)**

NO.	DESCRIPTION		STD	PART NO.	QTY.
1	BODY	CAST IRON	2" NPT	* 1074343 (426-AB)	1
			2-1/2" NPT	* 1081559 (426-A10)	
		CAST BRASS	2" NPT	1074338 (426-AB8)	
		2-1/2" NPT		1074335 (426-AB10)	
2	SEAT (REQ'S ASSY TOOL)	BRASS		* 1074409 (426-MO)	1
		STN. STL.		1074408 (426-MVO)	
3	HEX NUT (5/16-24)			* 1263853	2
4	DISC PLATE	BRASS		* 1074395 (426-K)	1
		STN. STL.		1074398 (426-KS)	
5	O-RING	BUNA N		* 1071696 (ORB-144)	1
		E.P.D.M.		1071737 (ORE-144)	
		FKM		1071809 (ORV-144)	
6	DISC	BUNA N		* 1074389 (426-J)	1
		E.P.D.M.		1074391 (426-JE)	
		FKM		1074394 (426-JV)	
		HYCAR		1074392 (426-JH)	
7	DISC HOLDER	BRASS		* 1074381 (426-H)	1
		STN. STL.		1074386 (426-HS)	
8	GASKET	COPPER		* 1074252 (424-R)	2
9	O-RING	BUNA N		* 1071706 (ORB-233)	1
		E.P.D.M.		1071754 (ORE-233)	
		FKM		1071826 (ORV-233)	
10	SHAFT GUIDE (REQ'S ASSY TOOL)	BRASS		* 1074379 (426-GO)	1
		STN. STL.		1074378 (426-GSO)	
11	DIAPHRAGM PLATE	BRASS		* 1074370 (426-D)	2
		STN. STL.		1074371 (426-DA)	
12	CAP	CAST IRON		* 1081560 (426-C)	1
		CAST BRASS		1074348 (426-CB)	
13	HEX SCREW	PLATED STEEL		* 1072401 (SCZ-0015)	6
		STN. STL.		1072358 (SCS-0016)	
14	DIAPHRAGM	BUNA N		* 1074374 (426-FB)	1
		FKM		1074376 (426-FV)	
15	HEX NUT	PLATED STEEL		* 1071657 (MIZ-0011)	6
		STN. STL.		1071655 (MUS-0035)	
16	O-RING	BUNA N		* 1071691 (ORB-114TC)	1
		E.P.D.M.		1071729 (ORE-114TC)	
		FKM		1242391 (ORV-114TC)	
17	SHAFT (NORMALLY OPEN)			* 1074400 (426-L)	1
18	DISC SPACER	BRASS		* 1074382 (426-HA)	1
		STN. STL.		1074384 (426-HAS)	

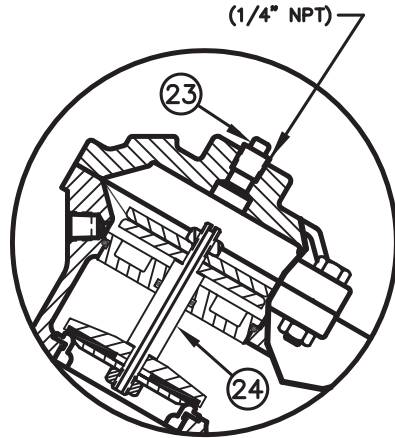
FORM NO. 1077616

K	ADDED LOCTITE APPLICATION BOX INFO	1713	MSM	29MAY07	
REV	DESCRIPTION	ECO	DWN	DATE	APVD
<p>20580 Enterprise Avenue Brookfield, WI 53045 888.784.9065 www.Pentairwatertreatment.com</p>					
<p><b>SERIES 426 DIAPHRAGM VALVE</b> <b>STANDARD MODEL</b></p>					
DRAWN	JWB	DATE	02May01	DRAWING NO.	1084021



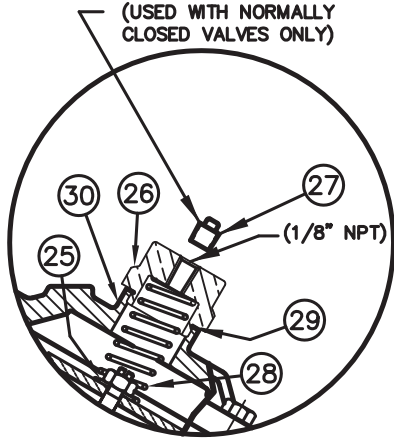
1072939 (V42G-0010-00000) (2" NPT)  
1072998 (V42H-0010-00000) (2-1/2" NPT)

**LIMIT STOP**



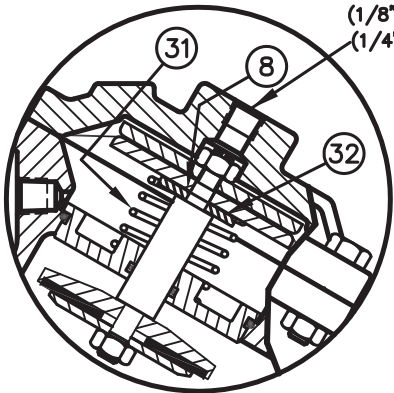
1072945 (V42G-0030-00000) (2" NPT)  
1073002 (V42H-0030-00000) (2-1/2" NPT)

**NORMALLY CLOSED**



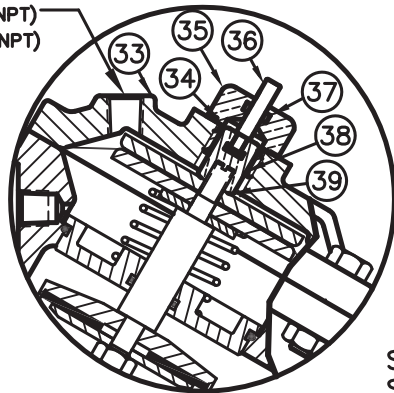
1072935 (V42G-0002-00000) (2" NPT)  
1072996 (V42H-0002-00000) (2-1/2" NPT)

**SPRING ASSIST CLOSED**



1072932 (V42G-0001-00000) (2" NPT)  
1072994 (V42H-0001-00000) (2-1/2" NPT)

**SPRING ASSIST OPEN**



1072943 (V42G-0021-00000) (2" NPT)  
1073001 (V42H-0021-00000) (2-1/2" NPT)

**POSITION INDICATOR**

**NOTE:**

1. SPRING ASSIST CLOSED MODEL CANNOT BE COMBINED WITH LIMIT STOP OR POSITION INDICATOR MODELS.
2. VALVES AVAILABLE WITH B.S.P. OR J.I.S. END CONNECTIONS.


SEE REVERSE SIDE FOR STANDARD NORMALLY OPEN MODEL

NO.	DESCRIPTION	STD	PART NO.	QTY.
<b>LIMIT STOP MODEL</b>				
19	SCREW	*	1072364 (SCS-0042)	1
20	O-RING	*	1071690 (ORB-112)	1
21	NUT	*	1074434 (426-U)	1
22	CAP	CAST IRON	* 1074354 (426-CCC)	1
		CAST BRASS	1074357 (426-CCCB)	
<b>NORMALLY CLOSED MODEL</b>				
23	PIPE PLUG (1/4" N.P.T.)	PLATED STEEL	* 1071918 (PLZ-0008)	1
		BRASS	1071904 (PLB-0009)	
		STN. STL	1071915 (PLS-0001)	
24	SHAFT (NORMALLY CLOSED)	*	1074402 (426-LL)	1
<b>SPRING ASSIST CLOSED MODEL</b>				
25	CENTERING WASHER	BRASS	* 1074083 (421-AH)	1
		STN. STL	1074084 (421-AHS)	
26	RETAINER NUT	BRASS	* 1074430 (426-TT)	1
		STN. STL	1078686	
27	PIPE PLUG (1/8" N.P.T.)	PLATED STEEL	* 1071917 (PLZ-0005)	1
		BRASS	1071903 (PLB-0007)	
		STN. STL	1071916 (PLS-0002)	
28	SPRING	*	1078688	1
29	O-RING	*	1071677 (ORB-025)	1
30	CAP	CAST IRON	* 1074352 (426-CC)	1
		CAST BRASS	1074353 (426-CCB)	
<b>SPRING ASSIST OPEN MODEL</b>				
8	GASKET	COPPER	* 1074252 (424-R)	1
		LEAD	1074263 (424-RL)	
31	SPRING	*	1078692	1
32	CENTERING WASHER	BRASS	* 1074436 (426-V)	1
		STN. STL	1074437 (426-VS)	
<b>POSITION INDICATOR MODEL</b>				
33	CAP	CAST IRON	* 1074360 (426-CF)	1
		CAST BRASS	1074364 (426-CFB)	
34	O-RING	*	1071692 (ORB-116)	1
35	SHAFT GUIDE BUSHING	*	1074121 (421-GF)	1
36	INDICATOR SHAFT	*	1074325 (425-PM)	1
37	O-RING	*	1071688 (ORB-108TC)	1
38	TOP NUT	*	1074332 (425-TB)	1
39	LOCKWASHER	*	1073590 (WAS-0007)	1

FORM NO. 1077616

CONVERSION KITS	
DESCRIPTION	PART NO.
CONVERSION KIT (LIMIT STOP) CONSISTS OF STANDARD ITEM NO'S 19,20,21,22	1074406 (426-LS)
CONVERSION KIT (SPRING ASSIST CLOSED) CONSISTS OF STANDARD ITEM NO'S 25 THRU 30	1074426 (426-SC)
CONVERSION KIT (SPRING ASSIST OPEN) CONSISTS OF STANDARD ITEM NO'S 8,31,32	1074427 (426-SO)
CONVERSION KIT (POSITION INDICATOR) CONSISTS OF STANDARD ITEM NO'S 33 THRU 39	1074414 (426-PI)

REPAIR PARTS KITS	
DESCRIPTION	PART NO.
INT. PARTS KIT (LIMIT STOP) CONSISTS OF STANDARD ITEM NO'S 19,20,21	1074405 (426-LS)
INT. PARTS KIT (NORM. CLOSED) CONSISTS OF STANDARD ITEM NO'S 4,7,10,11(2),18,24	1070132 (426-RG)
INT. PARTS KIT (SPRING ASSIST CLOSED) CONSISTS OF STANDARD ITEM NO'S 25,28,29	1074425 (426-SC)
INT. PARTS KIT (SPRING ASSIST OPEN) CONSISTS OF STANDARD ITEM NO'S 8,31,32	1074427 (426-SO)
INT. PARTS KIT (POSITION INDICATOR) CONSISTS OF STD ITEM NO'S 34 THRU 39	1074413 (426-PI)

K	SEE REVERSE SIDE	1713	MSM	29MAY07
REV	DESCRIPTION	ECO	DWN	DATE
 <p>20580 Enterprise Avenue Brookfield, WI 53045 888.784.9065 www.Pentairwatertreatment.com</p>				
<b>SERIES 426 DIAPHRAGM VALVE</b>				
<b>STANDARD MODEL</b>				
DRAWN	JWB	DATE	02May01	DRAWING NO. 1084021