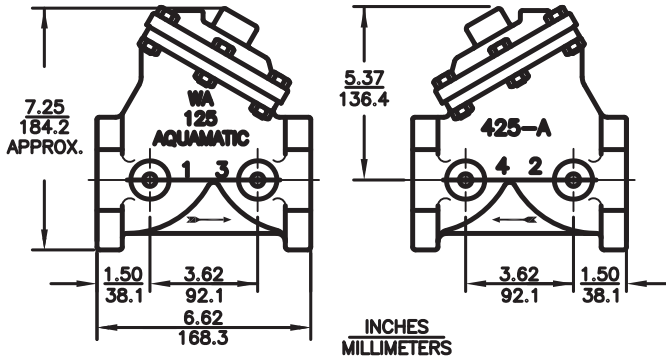


2" DIAPHRAGM VALVE - STANDARD MODEL

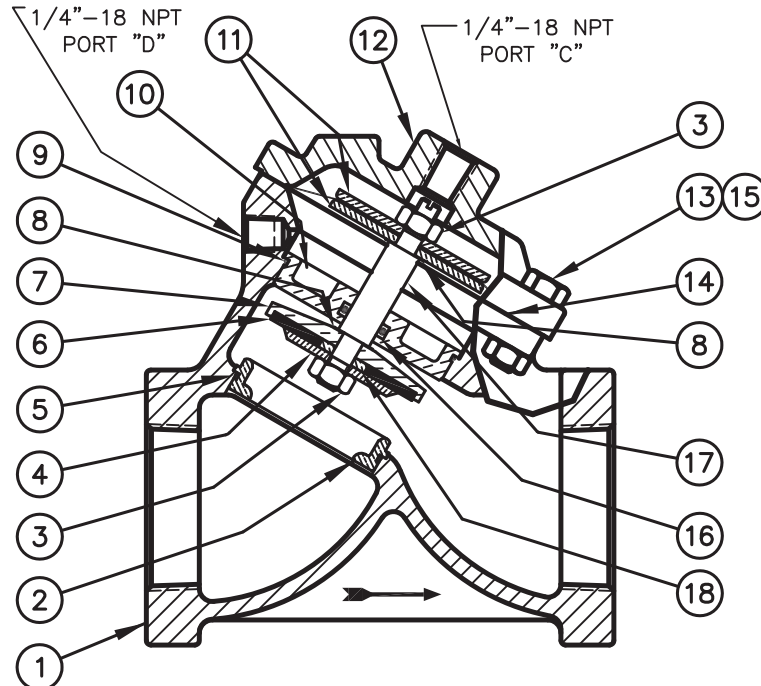


REPAIR PARTS KITS			
DESCRIPTION	PART NO.		
DIAPHRAGM & SEALS KIT CONSISTS OF ITEM NO'S 3(2),5,6,8(2),9,14,16	1070070 (425-RA)	1070083 (425-RAE)	1070095 (425-RAV)
	BUNA N INCLUDES DIAPHRAGM	E.P.D.M. INCLUDES DIAPHRAGM	FKM INCLUDES DIAPHRAGM
	1074296 (425-FB)	1074296 (425-FB)	1074297 (425-FV)
INT. PARTS KIT (NORM. OPEN) CONSISTS OF STANDARD ITEM NO'S 4,7,10,11(2),17,18	1070120 (425-RF)		
SEAT (ITEM NO. 2)	1074321 (425-MO)		

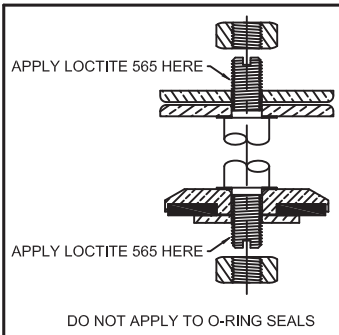
ASSEMBLY TOOLS	
DESCRIPTION	PART NO.
FOR INSTALLATION & REMOVAL OF SEAT (ITEM #2) (TOOL NOT SHOWN)	1074411 (426-MT)
FOR INSTALLATION & REMOVAL OF SHAFT GUIDE (ITEM #10) (TOOL NOT SHOWN)	1" HEX SOCKET

- NOTE:
1. AMERICAN NATIONAL STANDARD TAPER PIPE THREADS (NPT) PER ANSI B2.1-1968
  2. VALVES AVAILABLE WITH B.S.P.T. END CONNECTIONS.

SEE REVERSE SIDE  
CONFIGURATION OPTIONS



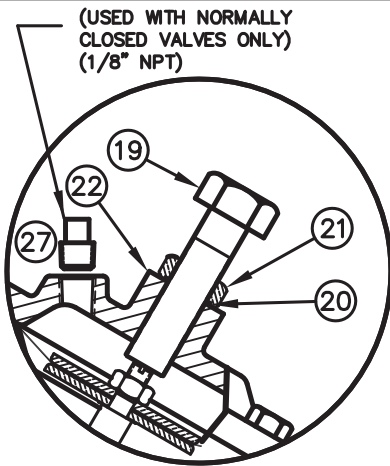
**1070035 (V42F-0000-00000) (2" NPT)**  
**NORMALLY OPEN (STANDARD)**



NO.	DESCRIPTION	STD	PART NO.	QTY.
1	BODY CAST IRON 2" NPT	*	1074277 (425-A)	1
2	SEAT (REQ'S ASSY TOOL) BRASS	*	1074321 (425-MO)	1
3	HEX NUT (5/16-24)	*	1263853	2
4	DISC PLATE BRASS	*	1074220 (424-D)	1
5	O-RING	BUNA N	* 1071682 (ORB-035)	1
		E.P.D.M.	1071724 (ORE-035)	
		VITON	1071794 (ORV-035)	
6	DISC	BUNA N	* 1074307 (425-J)	1
		E.P.D.M.	1074309 (425-JE)	
		FKM	1074312 (425-JV)	
		HYCAR	1074310 (425-JH)	
7	DISC HOLDER BRASS	*	1074303 (425-H)	1
8	GASKET COPPER	*	1074252 (424-R)	2
9	O-RING	BUNA N	* 1071684 (ORB-038)	1
		E.P.D.M.	1071725 (ORE-038)	
		FKM	1071795 (ORV-038)	
10	SHAFT GUIDE (REQ'S ASSY TOOL) BRASS	*	1074301 (425-GO)	1
11	DIAPHRAGM PLATE BRASS	*	1074293 (425-D)	2
12	CAP CAST IRON	*	1074281 (425-C)	1
13	HEX SCREW PLATED STEEL	*	1072400 (SCZ-0013)	6
14	DIAPHRAGM	BUNA N	* 1074296 (425-FB)	1
		FKM	1074297 (425-FV)	
15	HEX NUT PLATED STEEL	*	1071657 (NUZ-0011)	6
16	O-RING	BUNA N	* 1071699 (ORB-206TC)	1
		E.P.D.M.	1071742 (ORE-206TC)	
		FKM	1239008 (ORV-206)	
17	SHAFT (NORMALLY OPEN)	*	1074314 (425-L)	1
18	DISC SPACER	*	1074382 (426-HA)	1

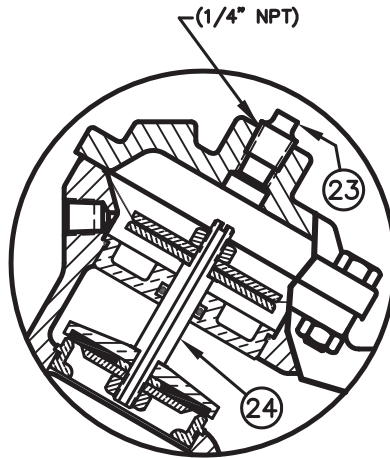
FORM NO. 1077615

G	ADDED LOCTITE APPLICATION BOX INFO	1713	MSM	29May07	
REV	DESCRIPTION	ECO	DWN	DATE	APVD
<p>20580 Enterprise Avenue Brookfield, WI 53045 888.784.9065 www.Pentairwatertreatment.com</p>					
<p><b>SERIES 425 DIAPHRAGM VALVE</b> <b>STANDARD MODEL</b></p>					
DRAWN	JWB	DATE	30Apr01	DRAWING NO.	1084020



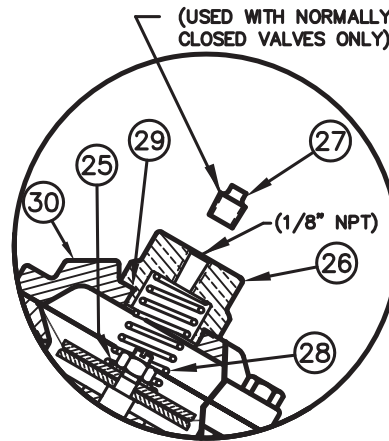
1070037 (V42F-0010-00000) (2" NPT)

**LIMIT STOP**



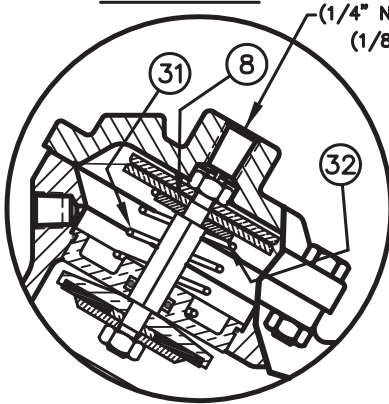
1072894 (V42F-0030-00000) (2" NPT)

**NORMALLY CLOSED**



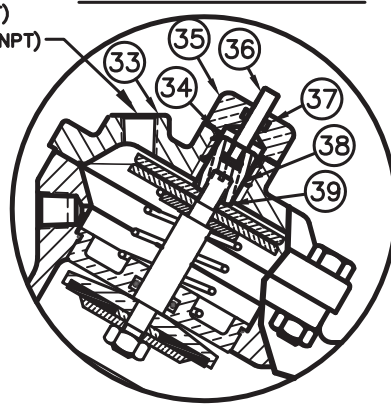
1072885 (V42F-0002-00000) (2" NPT)

**SPRING ASSIST CLOSED**



1070036 (V42F-0001-00000) (2" NPT)

**SPRING ASSIST OPEN**



1072893 (V42F-0021-00000) (2" NPT)

**POSITION INDICATOR**

**NOTE:**

1. SPRING ASSIST CLOSED MODEL CANNOT BE COMBINED WITH LIMIT STOP MODEL.
2. VALVES AVAILABLE WITH B.S.P.T. END CONNECTIONS.


SEE REVERSE SIDE FOR STANDARD NORMALLY OPEN MODEL

FORM NO. 1077615

NO.	DESCRIPTION	STD	PART NO.	QTY.
<b>LIMIT STOP MODEL</b>				
19	SCREW	*	1072364 (SCS-0042)	1
20	O-RING	*	1071690 (ORB-112)	1
21	NUT	*	1074434 (426-U)	1
22	CAP	CAST IRON	* 1074285 (425-CCC)	1
<b>NORMALLY CLOSED MODEL</b>				
23	PIPE PLUG (1/4" N.P.T.)	PLATED STEEL	* 1071918 (PLZ-0008)	1
		BRASS	1071904 (PLB-0009)	
		STN. STL.	1071915 (PLS-0001)	
24	SHAFT (NORMALLY CLOSED)	*	1074317 (425-L)	1
<b>SPRING ASSIST CLOSED MODEL</b>				
25	CENTERING WASHER	BRASS	* 1074083 (421-AH)	1
		STN. STL.	1074084 (421-AHS)	
26	RETAINER NUT	BRASS	* 1074430 (426-TT)	1
27	PIPE PLUG (1/8" N.P.T.)	PLATED STEEL	* 1071917 (PLZ-0005)	1
		BRASS	1071903 (PLB-0007)	
		STN. STL.	1071916 (PLS-0002)	
28	SPRING	*	1074428 (426-SS)	1
29	O-RING	*	1071677 (ORB-025)	1
30	CAP	CAST IRON	* 1074284 (425-CA)	1
<b>SPRING ASSIST OPEN MODEL</b>				
8	GASKET	COPPER	* 1074252 (424-R)	1
		LEAD	1074263 (424-RL)	
31	SPRING	*	1074423 (426-S)	1
32	CENTERING WASHER	BRASS	* 1074436 (426-V)	1
		STN. STL.	1074437 (426-VS)	
<b>POSITION INDICATOR MODEL</b>				
33	CAP	CAST IRON	* 1074288 (425-CF)	1
34	O-RING	*	1071692 (ORB-116)	1
35	SHAFT GUIDE BUSHING	*	1074121 (421-GF)	1
36	INDICATOR SHAFT	*	1074325 (425-PM)	1
37	O-RING	*	1071688 (ORB-108TC)	1
38	TOP NUT	*	1074332 (425-TB)	1
39	LOCKWASHER	*	1073590 (WAS-0007)	1

CONVERSION KITS	
DESCRIPTION	PART NO.
CONVERSION KIT (LIMIT STOP) CONSISTS OF STANDARD ITEM NO'S 19,20,21,22	1074320 (425-LSC)
CONVERSION KIT (SPRING ASSIST CLOSED) CONSISTS OF STANDARD ITEM NO'S 25 THRU 30	1074330 (425-SCC)
CONVERSION KIT (SPRING ASSIST OPEN) CONSISTS OF STANDARD ITEM NO'S 8,31,32	1074331 (425-SO)
CONVERSION KIT (POSITION INDICATOR) CONSISTS OF STANDARD ITEM NO'S 33 THRU 39	1074324 (425-PIC)

REPAIR PARTS KITS	
DESCRIPTION	PART NO.
INT. PARTS KIT (LIMIT STOP) CONSISTS OF STANDARD ITEM NO'S 19,20,21	1074319 (425-LS)
INT. PARTS KIT (NORM. CLOSED) CONSISTS OF STANDARD ITEM NO'S 4,7,10,11(2),18,24	1070131 (425-RG)
INT. PARTS KIT (SPRING ASSIST CLOSED) CONSISTS OF STANDARD ITEM NO'S 25,28,29	1074329 (425-SC)
INT. PARTS KIT (SPRING ASSIST OPEN) CONSISTS OF STANDARD ITEM NO'S 8,30,31	1074331 (425-SO)
INT. PARTS KIT (POSITION INDICATOR) CONSISTS OF STD ITEM NO'S 34 THRU 39	1074323 (425-PI)

G	SEE REVERSE SIDE	1713	MSM	29May07	
REV	DESCRIPTION	ECO	DWN	DATE	APVD
 <p>20580 Enterprise Avenue Brookfield, WI 53045 888.784.9065 www.Pentairwatertreatment.com</p>					
<b>SERIES 425 DIAPHRAGM VALVE</b>					
<b>STANDARD MODEL</b>					
DRAWN	JWB	DATE	30Apr01	DRAWING NO.	1084020