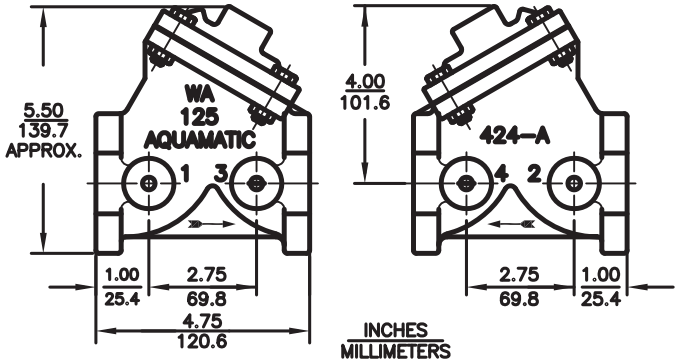


1-1/4" & 1-1/2" DIAPHRAGM VALVE - STANDARD MODEL

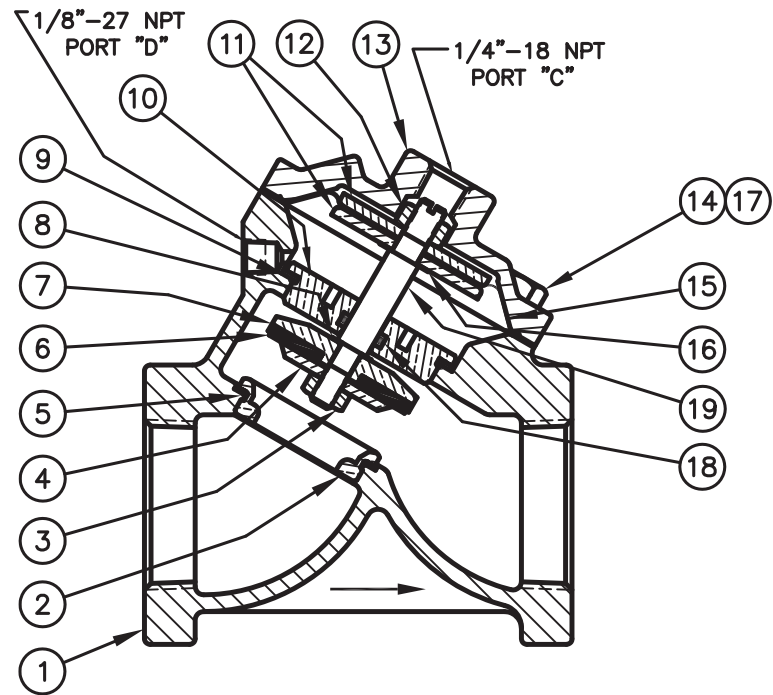


REPAIR PARTS KITS			
DESCRIPTION	PART NO.		
DIAPHRAGM & SEALS KIT CONSISTS OF ITEM NO'S 3,5,6,8,9,12,15,16,18	1070069 (424-RA) BUNA N INCLUDES DIAPHRAGM 1074222 (424-FB)	1070082 (424-RAE) E.P.D.M. INCLUDES DIAPHRAGM 1074222 (424-FB)	1070094 (424-RAV) FKM INCLUDES DIAPHRAGM 1074224 (424-FV)
INT. PARTS KIT (NORM. OPEN) CONSISTS OF STANDARD ITEM NO'S 4,7,10,11(2),19	1070119 (424-RF)		
SEAT (ITEM NO. 2)	1074245 (424-MO)		

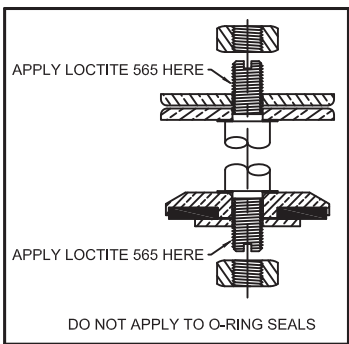
ASSEMBLY TOOLS	
DESCRIPTION	PART NO.
FOR INSTALLATION & REMOVAL OF SEAT (ITEM #2) (TOOL NOT SHOWN)	1074247 (424-MT)
FOR INSTALLATION & REMOVAL OF SHAFT GUIDE (ITEM #10) (TOOL NOT SHOWN)	1074227 (424-GT)

NO.	DESCRIPTION	STD	PART NO.	QTY.
1	BODY	CAST IRON	1-1/4" NPT * 1074196 (424-A5)	1
			1-1/2" NPT * 1074199 (424-A6)	
		CAST BRASS	1-1/4" NPT 1074190 (424-A85)	
			1-1/2" NPT 1074193 (424-A86)	
2	SEAT - BRASS (REQ'S ASSY. TOOL)	*	1074245 (424-MO)	1
3	HEX NUT (1/4-28)	*	1263852	1
4	DISC PLATE - BRASS	*	1074237 (424-K)	1
5	O-RING	BUNA N	* 1071678 (ORB-028)	1
		E.P.D.M.	1071723 (ORE-028)	
		VITON	1071793 (ORV-028)	
6	DISC	BUNA N	* 1074232 (424-J)	1
		E.P.D.M.	1074233 (424-JE)	
		FKM	1074236 (424-JV)	
		HYCAR	1074234 (424-JH)	
7	DISC HOLDER - BRASS	*	1074229 (424-JI)	1
8	GASKET - COPPER	*	1073948 (200-G6)	1
9	O-RING	BUNA N	* 1071695 (ORB-132)	1
		E.P.D.M.	1071734 (ORE-132)	
		FKM	1071806 (ORV-132)	
10	SHAFT GUIDE - BRASS (REQ'S ASSY TOOL)	*	1074225 (424-G6)	1
11	DIAPHRAGM PLATE - BRASS	*	1074220 (424-D)	2
12	HEX NUT (5/16-24)	*	1263853	1
13	CAP	CAST IRON	* 1074202 (424-C)	1
		CAST BRASS	1074206 (424-C8)	
14	HEX SCREW	PLATED STEEL	* 1072399 (SCZ-0007)	4
		STN. STL.	1072392 (SCS-0156)	
15	DIAPHRAGM	BUNA N	* 1074222 (424-FB)	1
		FKM	1074224 (424-FV)	
16	GASKET - COPPER	*	1074252 (424-R)	1
17	HEX NUT	PLATED STEEL	1071656 (NUZ-0008)	4
		STN. STL.	1071649 (NUS-0007)	
18	O-RING	BUNA N	* 1071689 (ORB-110TC)	1
		E.P.D.M.	1071726 (ORE-110TC)	
		FKM	1239021 (ORV-110TC)	
19	SHAFT (NORMALLY OPEN)	*	1074239 (424-L)	1

- NOTE:
1. AMERICAN NATIONAL STANDARD TAPER PIPE THREADS (NPT) PER ANSI B2.1-1968
 2. VALVES AVAILABLE WITH B.S.P.T. END CONNECTIONS.



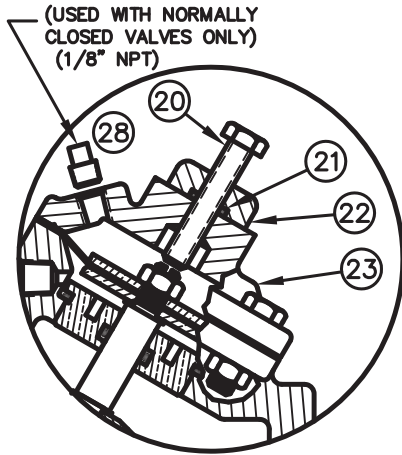
1070023 (V42D-0000-00000) (1-1/4" NPT)
 1070025 (V42E-0000-00000) (1-1/2" NPT)
NORMALLY OPEN (STANDARD)



SEE REVERSE SIDE FOR CONFIGURATION OPTIONS

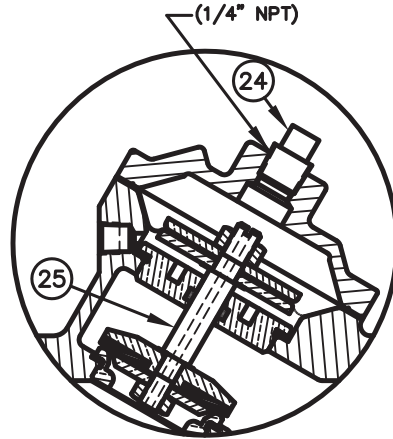
FORM NO. 1077614

H	ADDED LOCTITE APPLICATION BOX INFO	1713	MSM	24MAY07	
REV	DESCRIPTION	ECO	DWN	DATE	APVD
<p>20580 Enterprise Avenue Brookfield, WI 53045 888.784.9065 www.Pentairwatertreatment.com</p>					
<h2>SERIES 424 DIAPHRAGM VALVE</h2> <h3>STANDARD MODEL</h3>					
DRAWN	JWB	DATE	25Apr01	DRAWING NO.	1084019



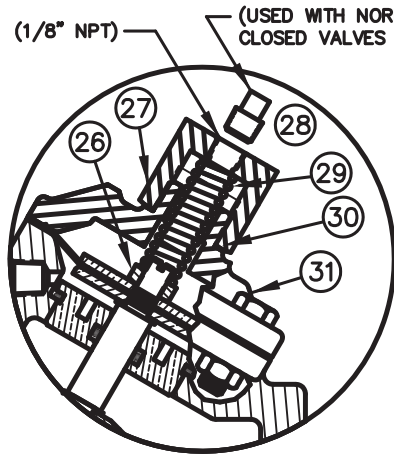
1072720 (V42D-0010-00000) (1-1/4" NPT)
1070028 (V42E-0010-00000) (1-1/2" NPT)

LIMIT STOP



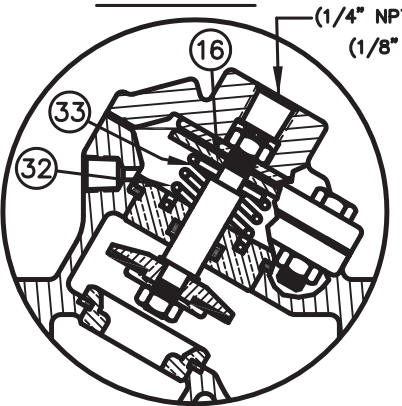
1072723 (V42D-0030-00000) (1-1/4" NPT)
1070026 (V42E-0030-00000) (1-1/2" NPT)

NORMALLY CLOSED



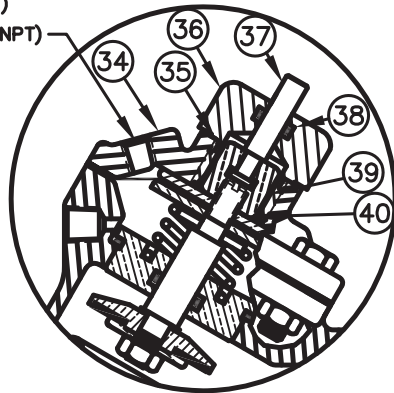
1072716 (V42D-0002-00000) (1-1/4" NPT)
1072792 (V42E-0002-00000) (1-1/2" NPT)

SPRING ASSIST CLOSED



1072715 (V42D-0001-00000) (1-1/4" NPT)
1070027 (V42E-0001-00000) (1-1/2" NPT)

SPRING ASSIST OPEN



1072722 (V42D-0021-00000) (1-1/4" NPT)
1072804 (V42E-0021-00000) (1-1/2" NPT)

POSITION INDICATOR

NO.	DESCRIPTION	STD	PART NO.	QTY.
-----	-------------	-----	----------	------

LIMIT STOP MODEL				
20	SCREW	*	1072362 (SCS-0031)	1
21	O-RING	*	1071668 (ORB-012)	1
22	NUT	*	1077534 (400-H)	1
23	CAP	CAST IRON	* 1074210 (424-CCC)	1
		CAST BRASS	1074213 (424-CCCB)	

NORMALLY CLOSED MODEL				
24	PIPE PLUG (1/4" N.P.T.)	PLATED STEEL	* 1071918 (PLZ-0008)	1
		BRASS	1071904 (PLB-0009)	
25	SHAFT (NORMALLY CLOSED)	*	1074241 (424-LL)	1

SPRING ASSIST CLOSED MODEL				
26	CENTERING NUT	*	1074276 (424-X)	1
27	RETAINER NUT - BRASS	*	1074274 (424-TT)	1
28	PIPE PLUG (1/8" N.P.T.)	PLATED STEEL	* 1071917 (PLZ-0005)	1
		BRASS	1071903 (PLB-0007)	
29	SPRING	*	1074270 (424-SS)	1
30	O-RING	*	1071674 (ORB-020)	1
31	CAP	CAST IRON	* 1074208 (424-CC)	1
		CAST BRASS	1074209 (424-CCB)	

SPRING ASSIST OPEN MODEL				
16	GASKET - COPPER	*	1074252 (424-R)	1
32	SPRING	*	1236766	1
33	CENTERING WASHER - BRASS	*	1074382 (426-HA)	1

POSITION INDICATOR MODEL				
34	CAP	CAST IRON	* 1074217 (424-CF)	1
		CAST BRASS	1074218 (424-CFB)	
35	O-RING	*	1071692 (ORB-116)	1
36	SHAFT GUIDE BUSHING	*	1074121 (421-GF)	1
37	INDICATOR SHAFT	*	1074251 (424-PM)	1
38	O-RING	*	1071688 (ORB-108TC)	1
39	TOP NUT	*	1074272 (424-TB)	1
40	LOCKWASHER	*	1073590 (WAS-0007)	1

- NOTE:
1. SPRING ASSIST CLOSED MODEL CANNOT BE COMBINED WITH LIMIT STOP MODEL.
 2. VALVES AVAILABLE WITH B.S.P.T. END CONNECTIONS.

SEE REVERSE SIDE FOR STANDARD NORMALLY OPEN MODEL

FORM NO. 1077614

CONVERSION KITS	
DESCRIPTION	PART NO.
CONVERSION KIT (LIMIT STOP) CONSISTS OF STANDARD ITEM NO'S 20,21,22,23	1074243 (424-LSC)
CONVERSION KIT (SPRING ASSIST CLOSED) CONSISTS OF STANDARD ITEM NO'S 26 THRU 31	1074266 (424-SCC)
CONVERSION KIT (SPRING ASSIST OPEN) CONSISTS OF STANDARD ITEM NO'S 10,16,32,33	1074269 (424-SOC)
CONVERSION KIT (POSITION INDICATOR) CONSISTS OF STANDARD ITEM NO'S 34 THRU 40	1074250 (424-PIC)

REPAIR PARTS KITS	
DESCRIPTION	PART NO.
INT. PARTS KIT (LIMIT STOP) CONSISTS OF STANDARD ITEM NO'S 20,21,22	1074242 (424-LS)
INT. PARTS KIT (NORM. CLOSED) CONSISTS OF STANDARD ITEM NO'S 4,7,10,11(2),25	1070130 (424-RG)
INT. PARTS KIT (SPRING ASSIST CLOSED) CONSISTS OF STANDARD ITEM NO'S 26,29,30	1074265 (424-SC)
INT. PARTS KIT (SPRING ASSIST OPEN) CONSISTS OF STANDARD ITEM NO'S 16,32,33	1074268 (424-SO)
INT. PARTS KIT (POSITION INDICATOR) CONSISTS OF STD ITEM NO'S 35 THRU 40	1074249 (424-PI)

H	SEE REVERSE SIDE	1713	MSM	24MAY07	
REV	DESCRIPTION	ECO	DWN	DATE	APVD
		20580 Enterprise Avenue Brookfield, WI 53045 888.784.9065 www.Pentairwatertreatment.com			
SERIES 424 DIAPHRAGM VALVE STANDARD MODEL					
DRAWN	JWB	DATE	25Apr01	DRAWING NO.	1084019