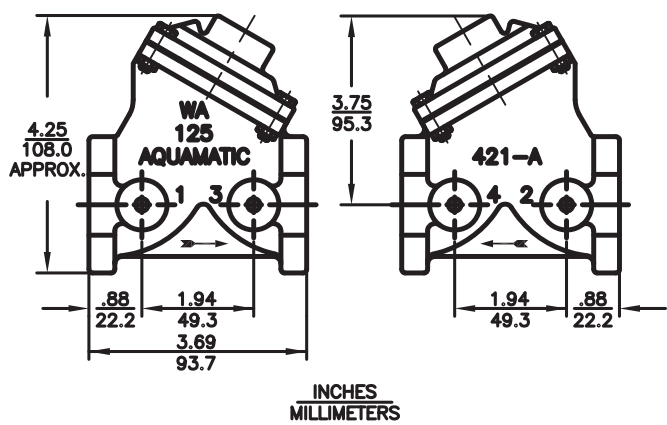


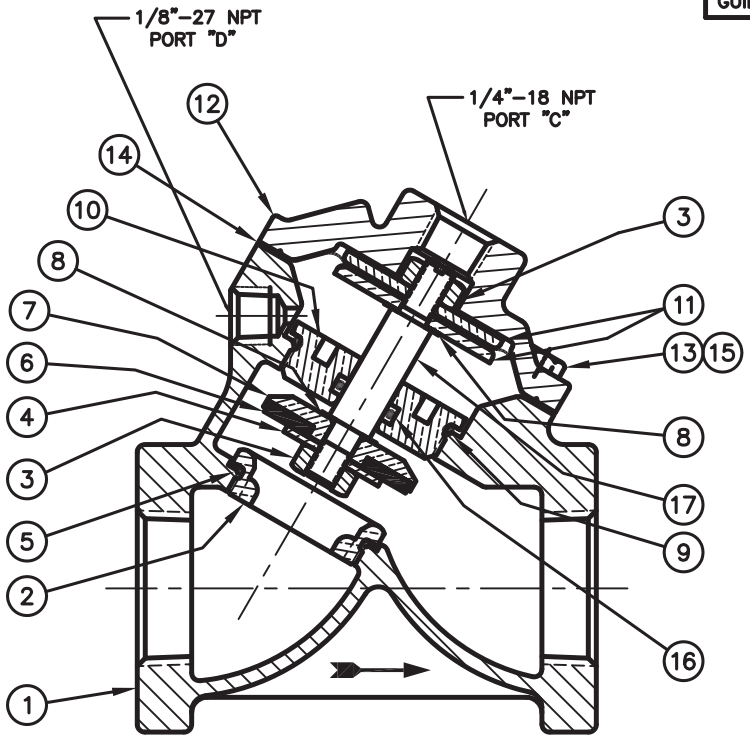
3/4" & 1" DIAPHRAGM VALVE - STANDARD MODEL



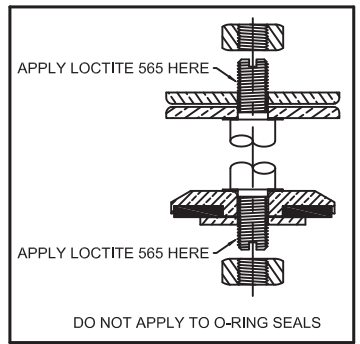
REPAIR PARTS KITS			
DESCRIPTION	PART NO.		
DIAPHRAGM & SEALS KIT CONSISTS OF ITEM NO'S 3(2), 5, 6, 8(2), 9, 14, 16	1070068 (421-RA) BUNA N INCLUDES DIAPHRAGM 1074119 (421-FB)	1070081 (421-RAE) E.P.D.M. INCLUDES DIAPHRAGM 1074119 (421-FB)	1070093 (421-RAV) FKM INCLUDES DIAPHRAGM 1074120 (421-FV)
INT. PARTS KIT (NORM. OPEN) CONSISTS OF STANDARD ITEM NO'S 4, 7, 10, 11(2), 17	1070118 (421-RF)		
SEAT (ITEM NO. 2)	1074158 (421-MO)		

ASSEMBLY TOOLS	
DESCRIPTION	PART NO.
FOR INSTALLATION & REMOVAL OF SEAT (ITEM #2) (TOOL NOT SHOWN)	1074161 (421-MT)
FOR INSTALLATION & REMOVAL OF SHAFT GUIDE (ITEM #10) (TOOL NOT SHOWN)	1074124 (421-GT)

NO.	DESCRIPTION	STD	PART NO.	QTY.
1	BODY	CAST IRON	3/4" NPT * 1074085 (421-A3)	1
			1" NPT * 1074088 (421-A4)	
		CAST BRASS	3/4" NPT * 1074077 (421-A83)	
			1" NPT * 1074080 (421-AB4)	
2	SEAT - BRASS (REQ'S ASSY TOOL)	*	1074158 (421-MO)	1
3	HEX NUT (1/4-28)	*	1263852	2
4	DISC PLATE - BRASS	*	1074147 (421-K)	1
5	O-RING	BUNA N	* 1071676 (ORB-024)	1
		E.P.D.M.	1071721 (ORE-024)	
		FKM	1071791 (ORV-024)	
6	DISC	BUNA	* 1074140 (421-J)	1
		E.P.D.M.	1074143 (421-JE)	
		FKM	1074146 (421-JV)	
		HYCAR	1074144 (421-JH)	
7	DISC HOLDER - BRASS	*	1074126 (421-H)	1
8	GASKET - COPPER	*	1073948 (200-GG)	2
9	O-RING	BUNA N	* 1071693 (ORB-125)	1
		E.P.D.M.	1071732 (ORE-125)	
		FKM	1071803 (ORV-125)	
10	SHAFT GUIDE - BRASS (REQ'S ASSY TOOL)	*	1074122 (421-GG0)	1
11	DIAPHRAGM PLATE - BRASS	*	1074117 (421-D)	2
12	CAP	CAST IRON	* 1074093 (421-C)	1
		CAST BRASS	1074096 (421-CB)	
13	HEX SCREW	PLATED STEEL	* 1072398 (SCZ-0004)	4
		STN. STL.	1080720 (SCS-0142)	
14	DIAPHRAGM	BUNA N	* 1074119	1
		FKM	1074120	
15	HEX NUT	PLATED STEEL	* 1071656 (NUS-0008)	4
		STN. STL.	1071649 (NUS-0007)	
16	O-RING	BUNA N	* 1071689 (ORB-110TC)	1
		E.P.D.M.	1071726 (ORE-110TC)	
		FKM	1239021 (ORV-110)	
17	SHAFT (NORMALLY OPEN)	*	1074150 (421-L)	1



- NOTE:
1. AMERICAN NATIONAL STANDARD TAPER PIPE THREADS (NPT) PER ANSI B2.1-1968
  2. VALVES AVAILABLE WITH B.S.P.T. END CONNECTIONS.

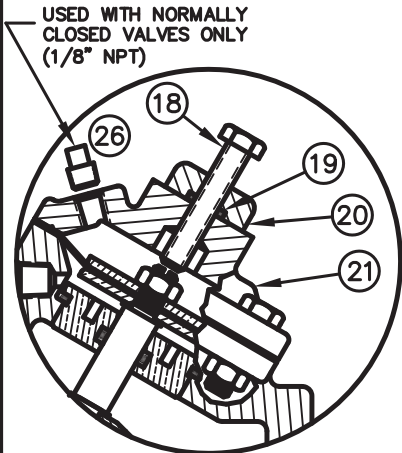


1070001 (V42B-0000-00000) (3/4" NPT)  
 1070011 (V42C-0000-00000) (1" NPT)  
**NORMALLY OPEN (STANDARD)**

SEE REVERSE SIDE FOR CONFIGURATION OPTIONS

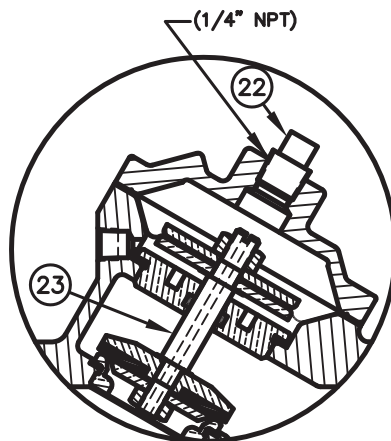
FORM NO. 1077613

J	ADDED LOCTITE APPLICATION BOX INFO	1713	MSM	24MAY07	
REV	DESCRIPTION	ECO	DWN	DATE	APVD
		20580 Enterprise Avenue Brookfield, WI 53045 888.784.9065 www.Pentairwatertreatment.com			
<b>SERIES 421 DIAPHRAGM VALVE          STANDARD MODEL</b>					
DRAWN	JWB	DATE	25APR01	DRAWING NO.	1084018



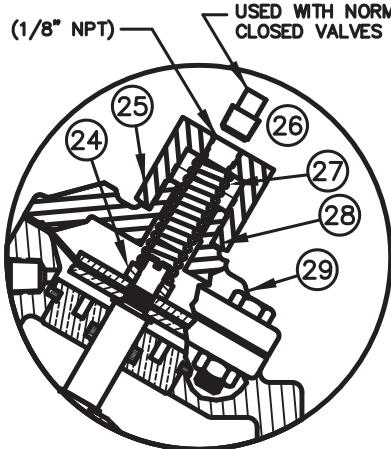
1072563 (V42B-0010-00000) (3/4" NPT)  
1070015 (V42C-0010-00000) (1" NPT)

**LIMIT STOP**



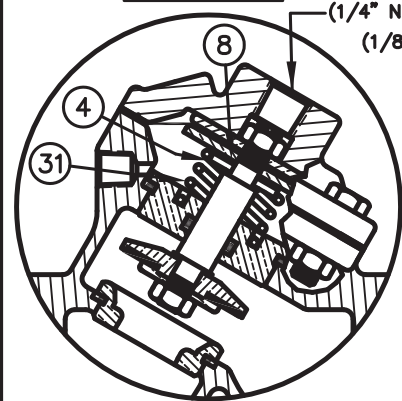
1070002 (V42B-0030-00000) (3/4" NPT)  
1070012 (V42C-0030-00000) (1" NPT)

**NORMALLY CLOSED**



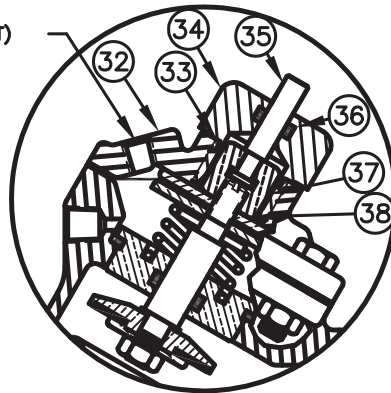
1070003 (V42B-0002-00000) (3/4" NPT)  
1070013 (V42C-0002-00000) (1" NPT)

**SPRING ASSIST CLOSED**



1070004 (V42B-0001-00000) (3/4" NPT)  
1070014 (V42C-0001-00000) (1" NPT)

**SPRING ASSIST OPEN**



1077144 (V42B-0021-00000) (3/4" NPT)  
1072648 (V42C-0021-00000) (1" NPT)

**POSITION INDICATOR**

**NOTE:**  
1. SPRING ASSIST CLOSED MODEL CANNOT BE COMBINED WITH LIMIT STOP OR POSITION INDICATOR MODELS.  
2. VALVES AVAILABLE WITH B.S.P. OR J.I.S. END CONNECTIONS.

SEE REVERSE SIDE FOR STANDARD NORMALLY OPEN MODEL

NO.	DESCRIPTION	STD	PART NO.	QTY.
<b>LIMIT STOP MODEL</b>				
18	SCREW	*	1072361 (SCS-0030)	1
19	O-RING	*	1071668 (ORB-012)	1
20	HEX NUT	*	1077534 (400-H)	1
21	CAP	CAST IRON	* 1074101 (421-CC)	1
		CAST BRASS	1074104 (421-CCCB)	
<b>NORMALLY CLOSED MODEL</b>				
22	PIPE PLUG (1/4" N.P.T.)	PLATED STEEL	* 1071918 (PLZ-0008)	1
		BRASS	1071904 (PLB-0009)	
23	SHAFT (NORMALLY CLOSED)	*	1074153 (421-LL)	1
<b>SPRING ASSIST CLOSED MODEL</b>				
24	CENTERING NUT	*	1074185 (421-X)	1
25	RETAINER NUT - BRASS	*	1074183 (421-TT)	1
26	PIPE PLUG (1/8" N.P.T.)	PLATED STEEL	* 1071917 (PLZ-0005)	1
		BRASS	1071903 (PLB-0007)	
27	SPRING	*	1078602	1
28	O-RING	*	1071674 (ORB-020)	1
29	CAP	CAST IRON	* 1074099 (421-CC)	1
		CAST BRASS	1074100 (421-CCB)	
<b>SPRING ASSIST OPEN MODEL</b>				
4	DISC PLATE - BRASS	*	1074147 (421-K)	1
8	GASKET - COPPER	*	1073948 (200-GG)	1
31	SPRING	*	1074175 (421-SB)	1
<b>POSITION INDICATOR MODEL</b>				
32	CAP	CAST IRON	* 1074107 (421-CF)	1
		CAST BRASS	1074110 (421-CFB)	
33	O-RING	*	1071692 (ORB-116)	1
34	SHAFT GUIDE BUSHING	*	1074121 (421-GF)	1
35	INDICATOR SHAFT	*	1074164 (421-PM)	1
36	O-RING	*	1071688 (ORB-108TC)	1
37	TOP NUT	*	1074182 (421-TB)	1
38	LOCKWASHER	*	1073589 (WAS-0006)	1

FORM NO. 1077613

CONVERSION KITS	
DESCRIPTION	PART NO.
CONVERSION KIT (LIMIT STOP) CONSISTS OF STANDARD ITEM NO'S 18 THRU 21	1074155 (421-LSC)
CONVERSION KIT (SPRING ASSIST CLOSED) CONSISTS OF STANDARD ITEM NO'S 24 THRU 29	1074177 (421-SCC)
CONVERSION KIT (SPRING ASSIST OPEN) CONSISTS OF STANDARD ITEM NO'S 4,8,10,31	1074179 (421-SOC)
CONVERSION KIT (POSITION INDICATOR) CONSISTS OF STANDARD ITEM NO'S 32 THRU 38	1074163 (421-PI)

REPAIR PARTS KITS	
DESCRIPTION	PART NO.
INT. PARTS KIT (LIMIT STOP) CONSISTS OF STANDARD ITEM NO'S 18,19,20	1074154 (421-LS)
INT. PARTS KIT (NORM. CLOSED) CONSISTS OF STANDARD ITEM NO'S 4,7,10,11(2),23	1070129 (421-RG)
INT. PARTS KIT (SPRING ASSIST CLOSED) CONSISTS OF STANDARD ITEM NO'S 24,27,28	1074176 (421-SC)
INT. PARTS KIT (SPRING ASSIST OPEN) CONSISTS OF STANDARD ITEM NO'S 4,8,31	1074178 (421-SO)
INT. PARTS KIT (POSITION INDICATOR) CONSISTS OF STD ITEM NO'S 33 THRU 38	1074162 (421-PI)

J	SEE REVERSE SIDE	1713	MSM	24MAY07	
REV	DESCRIPTION	ECO	DWN	DATE	APVD
<p>20580 Enterprise Avenue Brookfield, WI 53045 888.784.9065 www.Pentairwatertreatment.com</p>					
<b>SERIES 421 DIAPHRAGM VALVE</b>					
<b>STANDARD MODEL</b>					
DRAWN		DATE		DRAWING NO.	
JWB		25APR01		1084018	