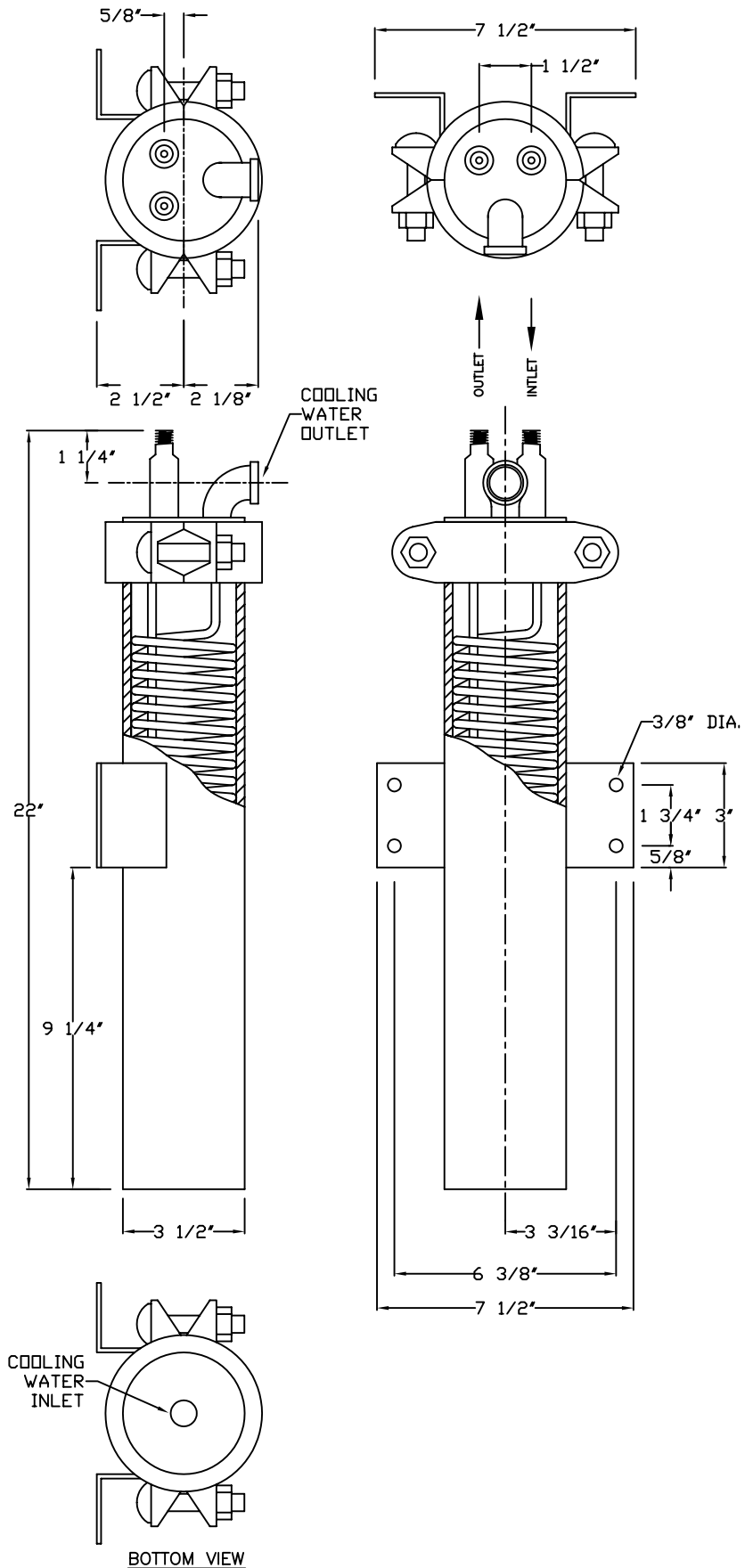


MATERIALS OF CONSTRUCTION

SHELL	3" SCH 40 304SS
MOUNTING BRACKETS	Stainless steel with (4) 3/8" Holes
END CAPS	Stainless steel
1/4" MPT ADAPTERS	Stainless steel 316
COIL	Continuous coil of 316 Stainless steel
MAX. COIL PRESSURE	3000 PSI
MAX. SHELL PRESSURE	450 PSI
COOLING WATER FITTINGS	Inlet/Outlet 1/2" FPT SS
SURFACE AREA	1.0 SQ. FT.

DIMENSIONS

LENGTH	22" OA
DIAMETER	3-1/2"
BRACKET	7-1/2"
WEIGHT	21.5 LBS



PO BOX 1059
 MEDIA, PA 19063
 TELEPHONE: 610.358.0717
 FAX: 610.358.4642
 E-MAIL: sales@reskem.com
 INTERNET: http://www.reskem.com

This document is the property of RES-KEM CORP., and thereby subject to confidential use. It shall not be reproduced, furnished to others or used for other than its intended purpose without the express written consent of RES-KEM CORP.

PROJECT NO.		REVISIONS:	
APPROVED		A	ADDED DIMENSIONS
CHECKED			
DRAWN	MHP		
DATE	12/14/98		
SCALE	NTS		
LATEST REV.			
CAD FILE	A-9243A.DWG		

CUSTOMER/PROJECT:	RES-KEM CORP. SC-305
SHEET TITLE:	WATER SAMPLE COOLER MODEL I-SS

SHEET NO.
A-9243a