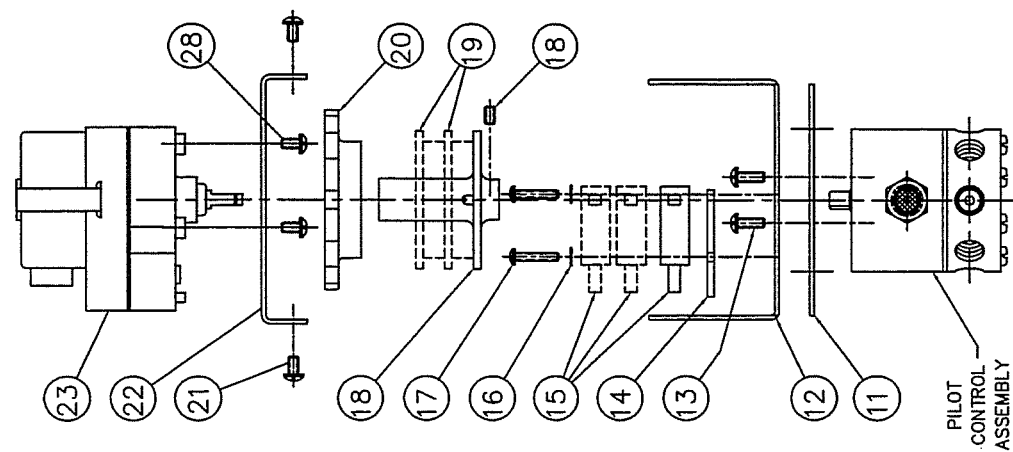


SERIES 96 STAGER ASSEMBLY

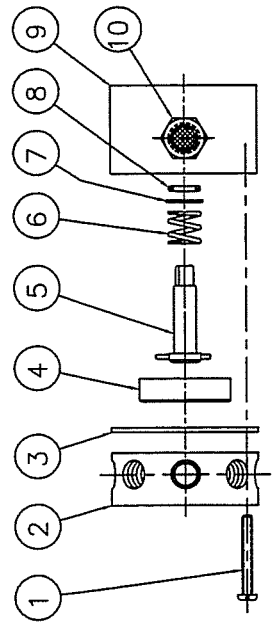
Form No. 1078009

NO.	DESCRIPTION	PART NO.	QTY.
1	PAN HD. MACH. SCR. (6-32 X 1 1/8")	SCS-0076	4
2	BACKPLATE	PER PROGRAM	1
3	GASKET (SEE NOTE 3)	96034	1
4	STEMPLATE (SEE NOTE 3)	PER PROGRAM	1
5	STEMSHAFT	1070438	1
6	SPRING (SEE NOTE 3)	54-S	1
7	WASHER (SEE NOTE 3)	54-R	1
8	O-RING (SEE NOTE 3)	ORE-011	1
9	BONNET	51-B	1
10	FILTERED INLET (1/8" N.P.T.)	48-Q	1
11	MOUNTING PLATE GASKET	96B050	1
12	BOTTOM MOUNTING BRACKET	1077824	1
13	PAN HD. MACH. SCR. (6-32 X 3/8")	SCS-0070	2
14	INSULATOR	58B019	1
15	SWITCH	58013	1-3
16	LOCK WASHER (NO. 4)	WAS-0015	2
17	PAN HD. MACH. SREW (4-40 THREAD)	SCS-0064 SCS-0065 SCS-0151	2
18	INDEXING CAM (SEE NOTE 1)	1076243	1
19	AUXILIARY CAM (SEE NOTE 2)	58B017	0-2
20	THUMB WHEEL	58B018	1
21	TAPTITE SCREW (6-32 X 1/4")	1075746	4
22	MOTOR MOUNTING BRACKET	1070436	1
23	MOTOR	115VAC 60HZ 58B000 230VAC 50/60HZ 58B004 24VAC 50/60HZ 58B004 12VAC 50/60HZ 1075779	1
24	WIRE HARNESS (STANDARD)	58B030	1
25	MALE CONNECTOR	58012	1
26	WIRE HARNESS (1ST AUX. SWITCH)	58015	1
27	WIRE HARNESS (2ND AUX. SWITCH)	58016	1
28	SCREW (M3 X 0.5 X 8)	SCS-0167	3

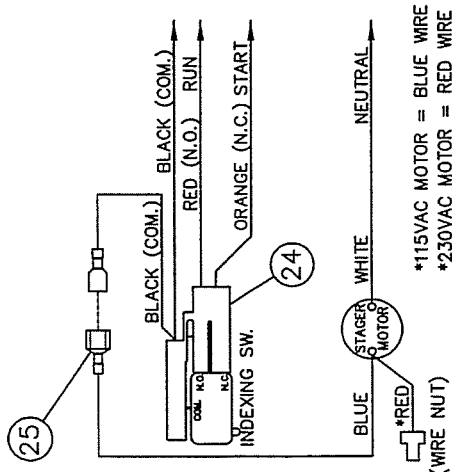
NOTES:
 1. STAGER PROGRAM MUST BE SPECIFIED WHEN ORDERING THIS PART.
 2. MUST SPECIFY IN WHICH POSITION(S) SWITCH OUTPUT(S) ARE REQUIRED.
 3. SUPPLIED AS A KIT ONLY.



PILOT CONTROL ASSEMBLY

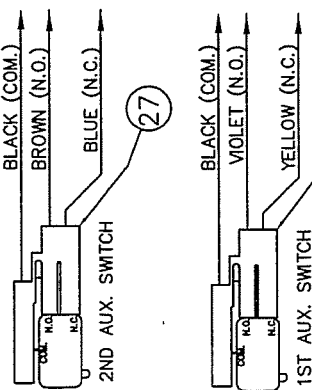


STANDARD WIRING



OPTIONAL AUX. SWITCHES

MAXIMUM OF TWO (2)




SWITCH RATINGS

- 11A 1/3HP
- 125, 250, 277 VAC
- 1/2A 125 VDC
- 1/4A 250 VDC
- 4A 125 VAC L

INTERNAL PARTS KITS

STAGER PROGRAM	INTERNAL PARTS AVAILABLE*	REMARKS
96-06		
96-07	51-IA-00	FOR INVERTED STAGERS (PRESSURE TO OPEN)
96-09		PLACE THE LETTER "I" AT THE END OF THE KIT NUMBER (EXAMPLE: 51-IA-86I)
96-10	51-IA-10	
96-11	51-IA-11	
96-12	51-IA-12	
96-86	51-IA-86	
96-87		
96-SP	51-IA-SP	SPECIFY DWG. NO. WHEN ORDERING THESE PARTS

* INTERNAL PARTS KITS INCLUDE ITEM NOS. 3, 4, 6, 7 & 8 ALONG WITH A SMALL PACKET OF SILICON COMPOUND

A	INITIAL RELEASE	125909MAY01
REV.	DESCRIPTION	ECO DATE APVD
 OSMONICS ROOFORD OPERATIONS 2412 GRANT AVENUE, ROOFORD, N.J. 07033-5991 (616) 964-9421 WWW.OSMONICS.COM		
SERIES 96 STAGER ASSEMBLY ASSEMBLY DRAWING		
SCALE	DRAWN	DATE
3/8	MSM	09May01
		DWG. NO. 1078010

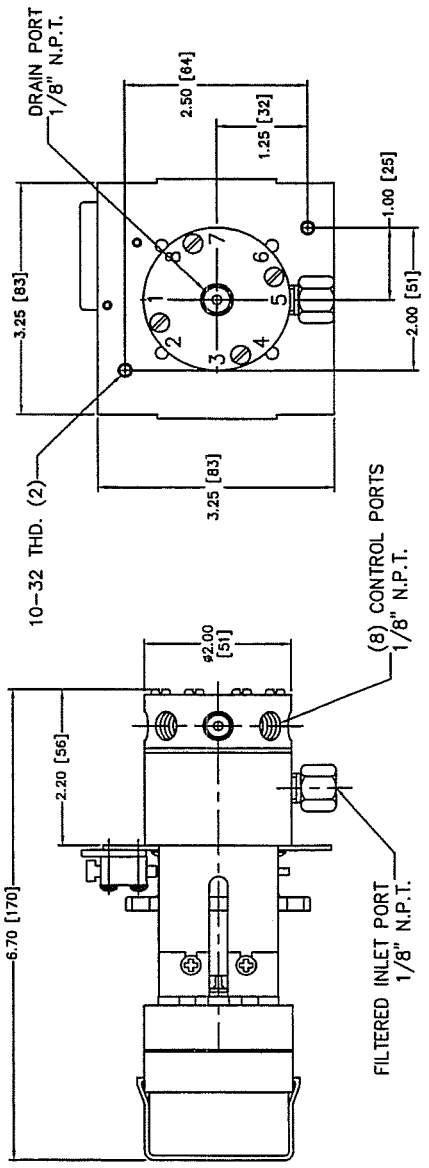
SERIES 96 PROGRAMS AND MOUNTING INFORMATION

NO.	DESCRIPTION	PART NO.	QTY.
1	STAGER ASSEMBLY	R096- - - - - C	1
2	NEMA 1	58-R	1
	NEMA 4	58-RA	
	NEMA 4XFG	ZENC0409	
3	PAN HEAD MACHINE SCREW 10-32 x 1/2" LONG	510-BU	2
4	LOCKWASHER (NO. 10)	WAS-0005	2

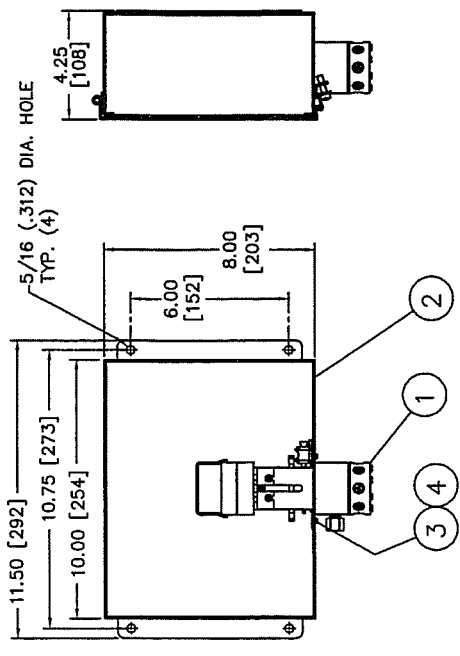
NOTE:

1. STAGERS CAN BE MANUALLY ADVANCED BY ROTATING THE CAM CLOCKWISE.
2. PIPING SCHEMATICS AVAILABLE UPON REQUEST.

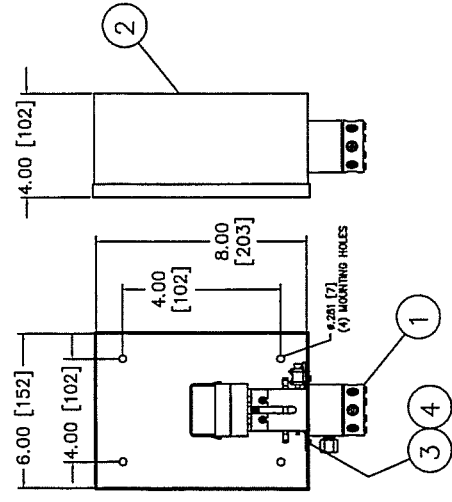
INCHES [MILLIMETERS]



NEMA 4 ENCLOSURE



NEMA 1 ENCLOSURE



SERIES NO.	PORTS VENTED IN POSITION								DESCRIPTION
	A	B	C	D	E	F	G	H	
96-06	1,2(SVC)	-	4(BW)	-	5,6,7(BR)	6,7(SR)	1,7(FR)	1,2,8(BR-REF)	TIMED BR. & REFILL SOFT.
96-07	1,2(SVC)	-	4(BW)	-	5,6,7(BR)	6,7(SR)	1,7(FR)	-	TIMED BRINE SOFTENER
96-09	1,3(SVC)	-	-	4(BW)	5,7(BR/SR)	-	1,7(FR)	1,8(REF)	TIMED REFILL SOFTENER
96-10	1,2,5,6(SVC)	-	5,6,7(BW)	1,5,6,8(FRI)	-	-	1,2,3(BW2)	1,2,4,5(FR2)	2 TANK SEQ. FILTER
96-11	2,3(SVC)	-	1,4(DR)	-	4,6,7(AS)	4,7,8(BW)	-	1,2(FR)	FILTER WITH AIR SCOUR
96-12	1,8(SVC)	2(BW)	-	4,5(BR)	4,5(DSP)	5,6(REC)	4,8(FR)	-	BRINE RECYCLE SOFT.
96-86	1(BW)	2(BW)	3(BW)	4(BW)	5(BW)	6(BW)	7(SVC)	-	6 TANK SEQ. FILTER
96-87	1(BW)	2(BW)	3(BW)	4(BW)	5(BW)	6(BW)	7(BW)	8(SVC)	7 TANK SEQ. FILTER

A	INITIAL RELEASE	1259	09MAY01
REV.	DESCRIPTION	ECO	DATE
			APVD



SERIES 96 STAGER	
PROGRAMS AND MOUNTING DRAWING	
SCALE	DATE
N/A	MSM 09MAY01
DWG. NO.	1078010