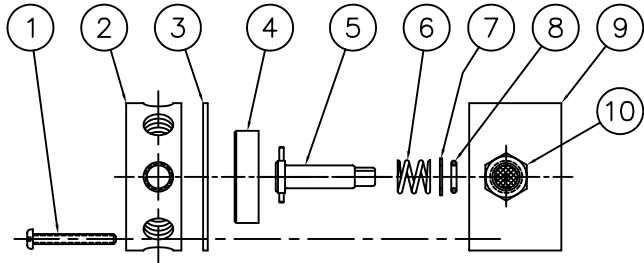
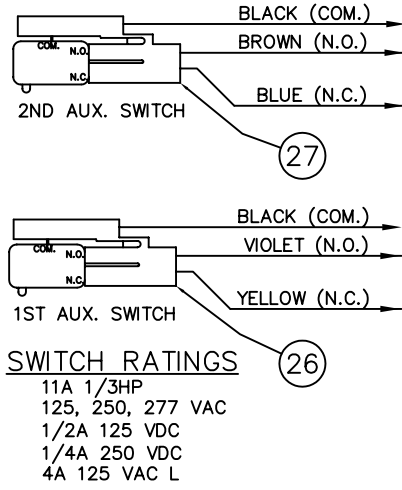


PILOT CONTROL ASSEMBLY

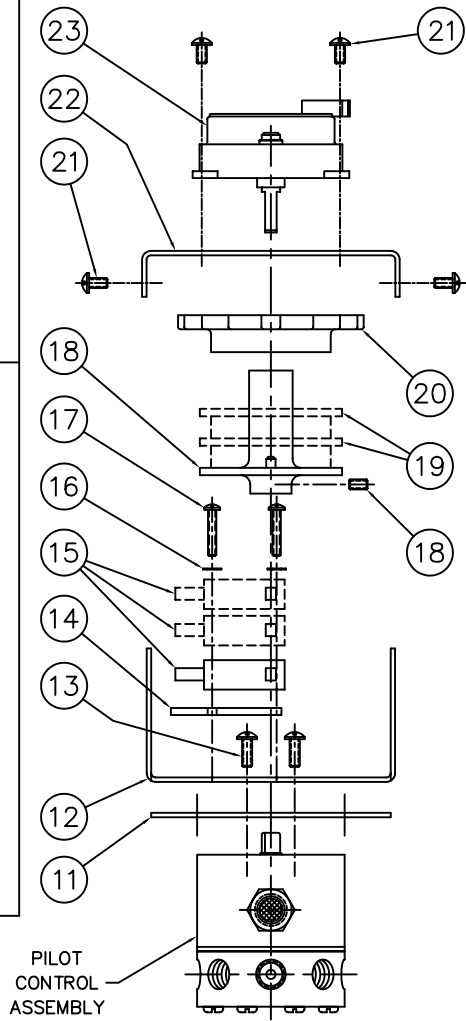
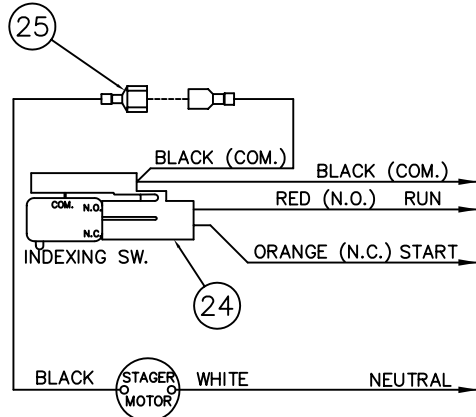


OPTIONAL AUX. SWITCHES

MAXIMUM OF TWO (2)



STANDARD WIRING



NO.	DESCRIPTION	PART NO.	QTY.
1	PAN HD. MACH. SCR. (6-32 X 1 1/8")	1075760 (SCS-0076)	4
2	BACKPLATE	PER PROGRAM	1
3	GASKET (SEE NOTE 3)	1075675 (96034)	1
4	STEMPLATE (SEE NOTE 3)	PER PROGRAM	1
5	STEMSHAFT	1070438	1
6	SPRING (SEE NOTE 3)	1075242 (54-S)	1
7	WASHER (SEE NOTE 3)	1075241 (54-R)	1
8	O-RING (SEE NOTE 3)	1071716 (ORE-011)	1
9	BONNET	1074883 (51-B)	1
10	FILTERED INLET (1/8" N.P.T.)	1074825 (48-Q)	1
11	MOUNTING PLATE GASKET	1075674 (96B050)	1
12	BOTTOM MOUNTING BRACKET	1077824	1
13	PAN HD. MACH. SCR. (6-32 X 3/8")	1072371 (SCS-0070)	2
14	INSULATOR	1075455 (58B019)	1
15	SWITCH	1075499 (58013)	1-3
16	LOCK WASHER (NO. 4)	1073593 (WAS-0015)	2
17	PAN HD. MACH. SCREW (4-40 THREAD)	1 SWITCH 1072369 (SCS-0064) 2 SWITCHES 1075757 (SCS-0065) 3 SWITCHES 1072389 (SCS-0151)	2
18	INDEXING CAM (SEE NOTE 1)	1076243	1
	SET SCREW (6-32)		1
19	AUXILIARY CAM (SEE NOTE 2)	1075451 (58B017)	0-2
20	THUMB WHEEL	1075454 (58B018)	1
21	TAPTITE SCREW (6-32 X 1/4")	1075746	6
22	MOTOR MOUNTING BRACKET	1070436	1
23	MOTOR (4 WATTS MAX.)	115VAC 60HZ 1075748 230VAC 50/60HZ 1075749 24VAC 50/60HZ 1075750 12VAC 50/60HZ 1075753	1
24	WIRE HARNESS (STANDARD)	1075464 (58B030)	1
25	MALE CONNECTOR	1075498 (58012)	1
26	WIRE HARNESS (1ST AUX. SWITCH)	1075501 (58015)	1
27	WIRE HARNESS (2ND AUX. SWITCH)	1075502 (58016)	1

- NOTES:
1. STAGER PROGRAM MUST BE SPECIFIED WHEN ORDERING THIS PART.
 2. MUST SPECIFY IN WHICH POSITION(S) SWITCH OUTPUT(S) ARE REQUIRED.
 3. SUPPLIED AS A KIT ONLY.

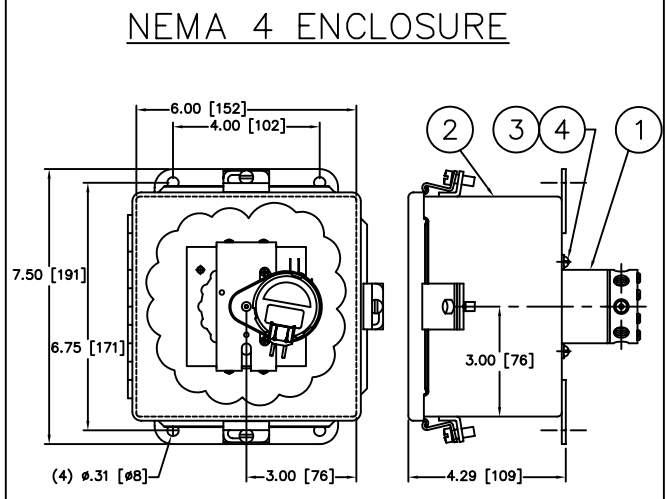
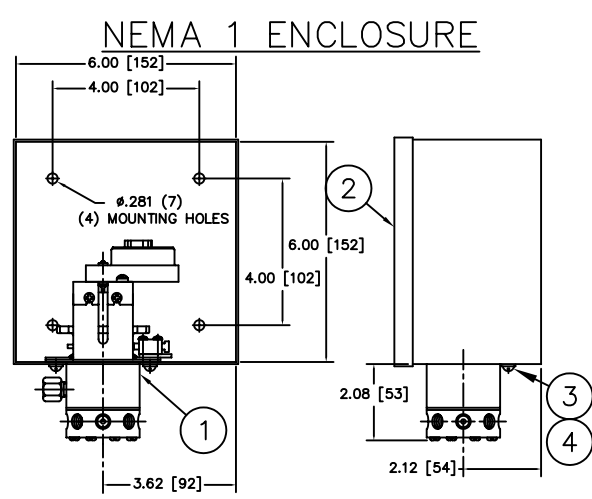
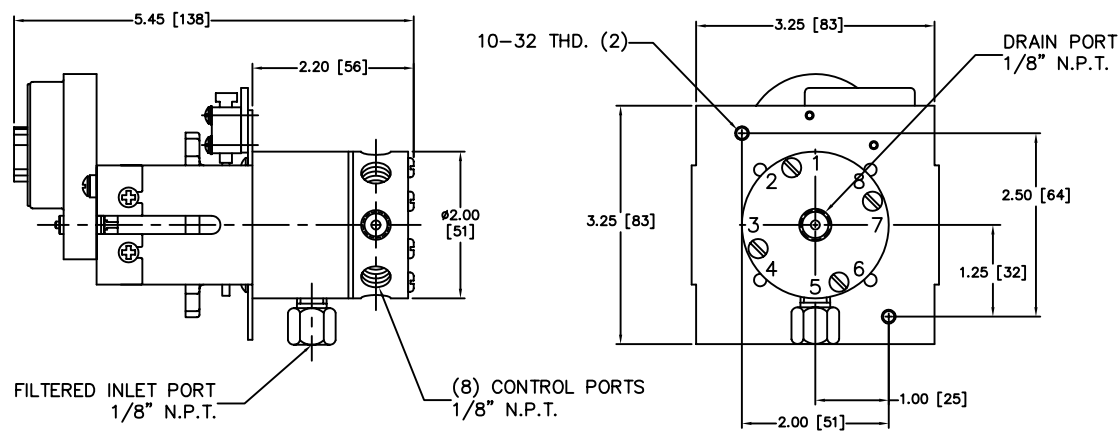
INTERNAL PARTS KITS

STAGER PROGRAM	INTERNAL PARTS KITS STD. PROGRAMS	INTERNAL PARTS KITS INVERTED PROGRAMS
51-06		
51-07	1074888 (51-IA-00)	
51-09		
51-10	1074890 (51-IA-10)	
51-11	1074891 (51-IA-11)	
51-12	1074892 (51-IA-12)	
51-86	1074893 (51-IA-86)	1077587 (51-IA-86I)
51-87		
51-SP	1074887 (51-IA-SP)	SPECIFY DWG. NO. WHEN ORDERING THESE PARTS

* INTERNAL PARTS KITS INCLUDE ITEM NOS. 3, 4, 6, 7 & 8 ALONG WITH A SMALL PACKET OF SILICON COMPOUND

REV.	DESCRIPTION	ECO	DATE	APVD
C	NUMBER CONVERSION	1588	13DECO2	
 2412 GRANT AVENUE, ROCKFORD, IL 61103-3991 (815) 964-9421 WWW.OSMONICS.COM				
SERIES 51 STAGER ASSEMBLY ASSEMBLY DRAWING				
SCALE	DRAWN	DATE	DWG. NO.	
3/8	MSM	19Feb01	1077770	

SERIES 51 STAGER ASSEMBLY




NO.	DESCRIPTION	PART NO.	QTY.
1	STAGER ASSEMBLY	R051-____-__B	1
2	ENCLOSURE	NEMA 1	1075751
		NEMA 4	1077967
		NEMA 4XFG	1077970
3	PAN HEAD MACHINE SCREW 10-32 x 1/2" LONG	1075758 (510-BU)	2
4	LOCKWASHER (NO. 10)	1073588 (WAS-0005)	2

NOTE:
1. STAGERS CAN BE MANUALLY ADVANCED BY ROTATING THE CAM CLOCKWISE.
2. PIPING SCHEMATICS AVAILABLE UPON REQUEST.

INCHES [MILLIMETERS]

SERIES NO.	PORTS VENTED IN POSITION								DESCRIPTION
	A	B	C	D	E	F	G	H	
51-06	1,2(SVC)	-	4(BW)	-	5,6,7(BR)	6,7(SR)	1,7(FR)	1,2,8(BR REF)	TIMED BR. & REFILL SOFT.
51-07	1,2(SVC)	-	4(BW)	-	5,6,7(BR)	6,7(SR)	1,7(FR)	-	TIMED BRINE SOFTENER
51-09	1,3(SVC)	-	-	4(BW)	5,7(BR/SR)	-	1,7(FR)	1,8(REF)	TIMED REFILL SOFTENER
51-10	1,2,5,6(SVC)	-	5,6,7(BW1)	1,5,6,8(FR1)	-	-	1,2,3(BW2)	1,2,4,5(FR2)	2 TANK SEQ. FILTER
51-11	2,3(SVC)	-	1,4(DR)	-	4,6,7(AS)	4,7,8(BW)	-	1,2(FR)	FILTER WITH AIR SCOUR
51-12	1,8(SVC)	2(BW)	-	4,5(BR)	4,5(DSP)	5,6(REC)	4,8(FR)	-	BRINE RECYCLE SOFT.
51-86	1(BW)	2(BW)	3(BW)	4(BW)	5(BW)	6(BW)	7(SVC)	-	6 TANK SEQ. FILTER
51-87	1(BW)	2(BW)	3(BW)	4(BW)	5(BW)	6(BW)	7(BW)	8(SVC)	7 TANK SEQ. FILTER

C	NUMBER CONVERSION	1588	13DEC02	
REV.	DESCRIPTION	ECO	DATE	APVD


OSMONICS
 ROCKFORD OPERATIONS
 2412 GRANT AVENUE, ROCKFORD, IL 61103-3991 (815) 964-9421
 WWW.OSMONICS.COM

SERIES 51 STAGER
 PROGRAMS AND MOUNTING DRAWING

SCALE	DRAWN	DATE	DWG. NO.
N/A	MSM	19Feb01	1077770