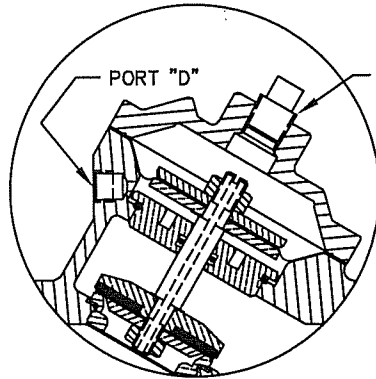


**NORMALLY OPEN**

LINE PRESSURE/FLOW AGAINST THE VALVE SEATING DISC WILL OPEN THE VALVE. CONTROL PRESSURE APPLIED TO THE TOP OF THE DIAPHRAGM (PORT "C") WILL CLOSE THE VALVE.

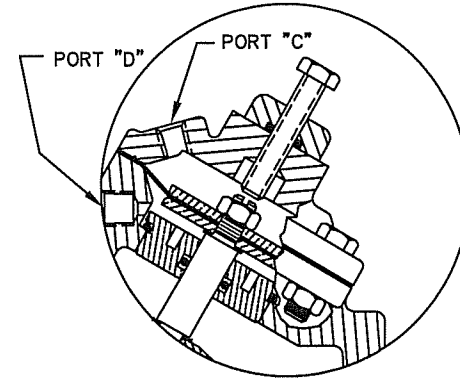


**NORMALLY CLOSED**

LINE PRESSURE AGAINST THE DISC, TRANSFERRED THRU THE VALVE'S HOLLOW SHAFT TO THE TOP OF THE DIAPHRAGM, WILL CLOSE THE VALVE. CONTROL PRESSURE AT PORT "D" WILL OPEN THE VALVE. ADDITION OF "SPRING ASSIST CLOSED" FEATURE IS RECOMMENDED FOR THE FOLLOWING CONDITIONS:

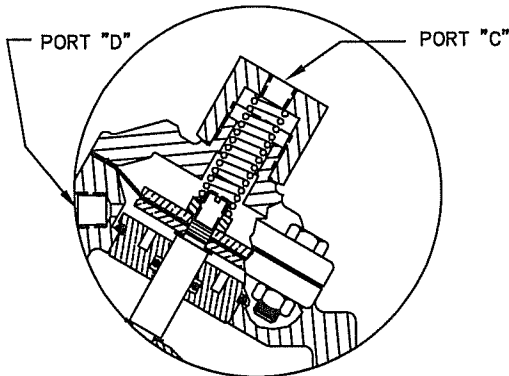
1. LOW PRESSURE AND/OR FLOW.
2. VALVE DISCHARGES TO ATMOSPHERE.

NORMALLY CLOSED FEATURE NOT RECOMMENDED FOR LINE MEDIA CONTAINING SOLIDS, HIGH TEMPERATURES OR OTHER MEDIA CONDITIONS WHICH MAY DAMAGE THE DIAPHRAGM.



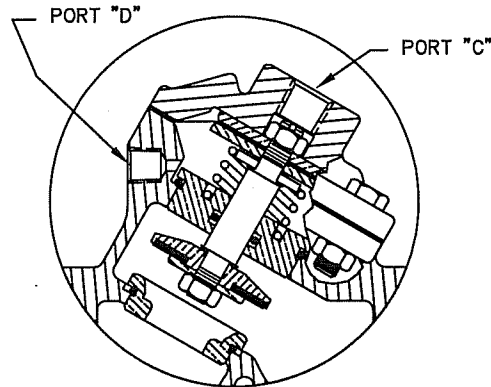
**LIMIT STOP**

INCLUDES AN ADJUSTMENT SCREW WHICH LIMITS THE VALVE STROKE. MAY BE USED TO CONTROL FLOW RATE, HOWEVER, FLOW RATE WILL VARY WITH CHANGES IN PRESSURE.



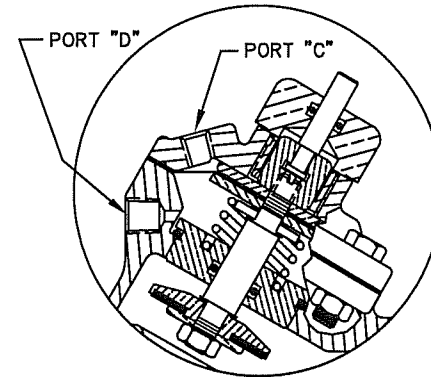
**SPRING ASSIST CLOSED**

SPRING SERVES AS AN ASSIST TO ASSURE FULL VALVE CLOSURE IN THE ABSENCE OF LINE AND CONTROL PRESSURES.




**SPRING ASSIST OPEN**

SPRING SERVES AS AN ASSIST TO ASSURE FULL VALVE OPENING IN THE ABSENCE OF LINE AND CONTROL PRESSURES.



**POSITION INDICATOR**

INDICATOR ROD IS ATTACHED TO MAIN VALVE STEM TO SHOW POSITION OF VALVE. ONLY AVAILABLE WITH SPRING ASSIST OPEN OPTION.

 <b>OSMONICS</b> <small>ROCKFORD OPERATIONS                  2412 GRANT AVENUE, ROCKFORD, IL 61103-3991 (815) 964-9421                  WWW.OSMONICS.COM</small>		SERIES 420 DIAPHRAGM VALVES							
				FORM NO. 1078116					
B	INITIAL RELEASE	1429	JWB	21JUN01	VKP	SCALE	DRAWN	DATE	DWG. NO.
REV	DESCRIPTION	ECO	DWN	DATE	APVD	N/A	JWB	25APR01	1078117